

**HUAWEI** SOLAR®

**PRODUCT  
CATALOGUE  
2023**





**WELCOME..**

**TO OUR 2023 PRODUCT  
CATALOG**





# TABLE OF CONTENT

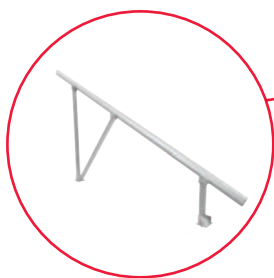
- GROUND SOLUTIONS  
.....
- FENCE  
.....
- GROUND SCREW  
.....
- CARPORT  
.....
- ROOF SOLUTIONS  
.....
- FLOATING SOLUTIONS  
.....
- PROJECT  
.....



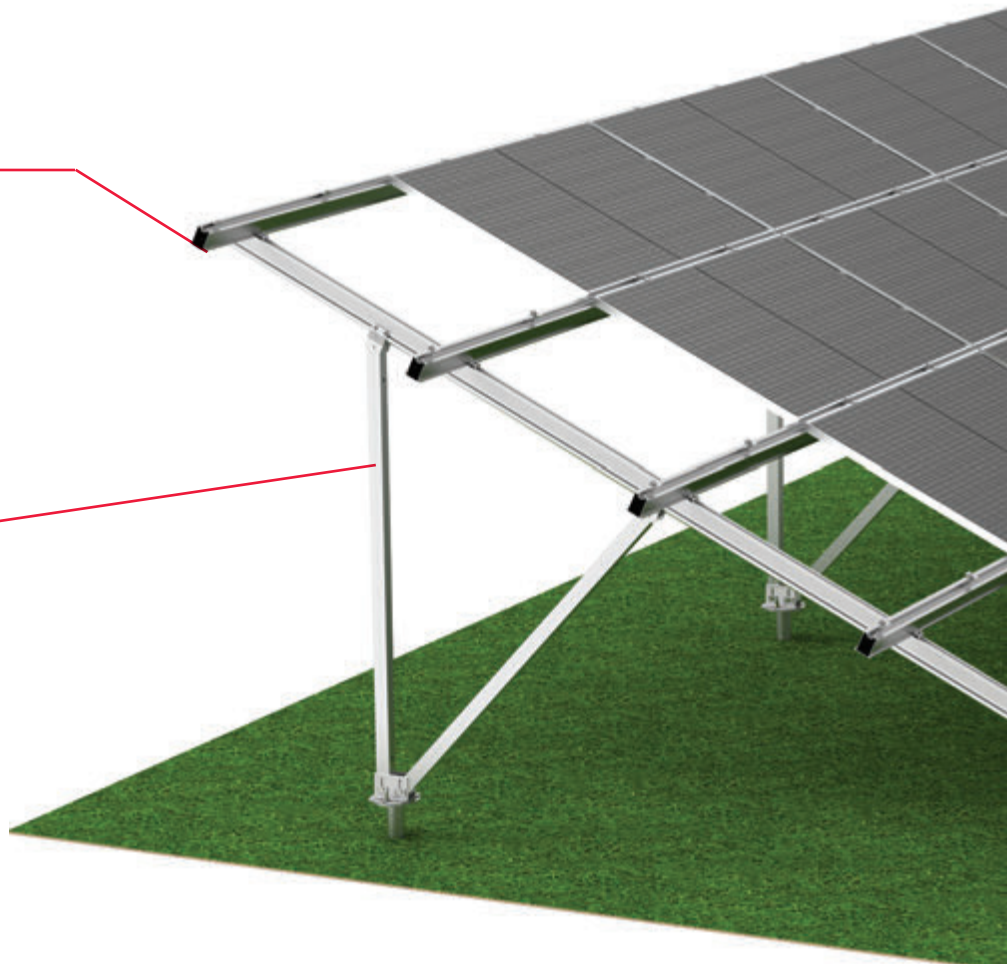
# GROUND SOLUTIONS



Rails



Pre-Assembled Supports





# GROUND MOUNT SYSTEMS

The Ground Mount System is designed for medium to large scale project installation. The most appropriate ground mount for any outdoor site depends on project size, engineering considerations, mounting surface material, soil conditions and ground topography, so HUAWEI offers a diverse range of ground mounting systems to ensure a solution is available for every application, location and environment.

Each system is designed for simple installation, durability, cost-effectiveness and flexibility in design and installation.



PRODUCT WARRANTY



FAST & EASY INSTALLATION



COST EFFECTIVE SOLUTIONS



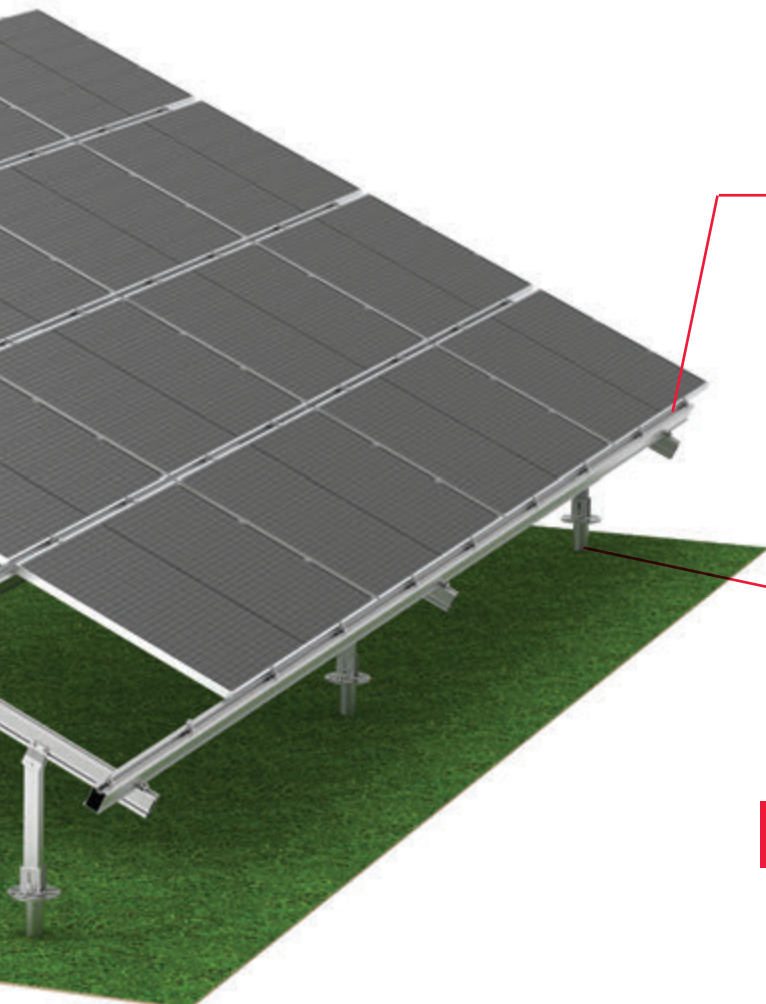
20 YEARS LIFETIME SERVICE



FULL SYSTEM CERTIFICATION



ADAPT TO EXTREME WEATHER



Module Components



Ground Screws



Concrete Foundation



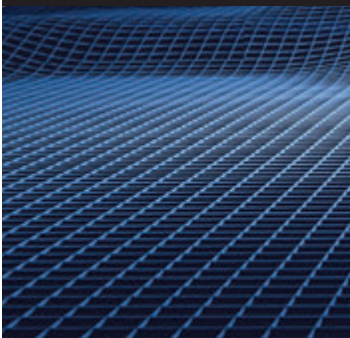
N

# STRUCTURE



## Application Terrain and Environment

- The ground is nearly flat
- The ground has a slope, and the angle of the slope is almost the same

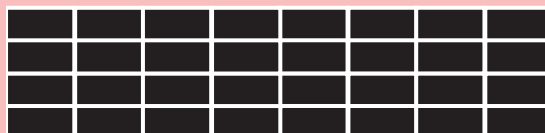


## N TYPE SOLAR GROUND SYSTEM

Pre-assembled, durable ground mount frame designed for standard environmental conditions

### TECHNICAL DATA

<b>Foundation Type</b>	Ground Screws	Cement
<b>Engineering Condition</b>	Small number of rows, small installation angle, small load arrangement.	
<b>Ideal Layout</b>	Both long and short.	



3-4 Rows x Columns



# SUPPORT

# W



## W TYPE SOLAR GROUND SYSTEM

Pre-assembled, extra durable ground mount frame designed for harsh environmental conditions

### TECHNICAL DATA

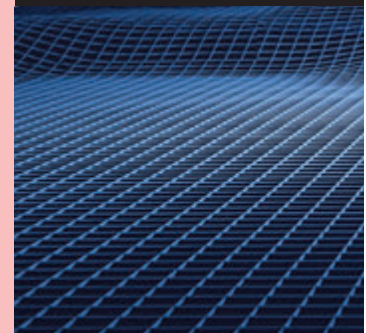
<b>Foundation Type</b>	Ground Screws	Cement
<b>Engineering Condition</b>	Large number of rows, large installation angle, large load arrangement.	
<b>Ideal Layout</b>	Both long and short.	



4-5 Rows x Columns

### Application Terrain and Environment

- The ground is nearly flat
- The ground has a slope, and the angle of the slope is almost the same





# Y

# STRUCTURE



### Application Terrain and Environment

- The ground is nearly flat - In this terrain
- Irregular terrain, uneven slopes in the east, west, south and north directions.

## Y TYPE SOLAR GROUND SYSTEM

Pre-assembled, constructed from either carbon-steel and aluminum or full carbon-steel.

### TECHNICAL DATA

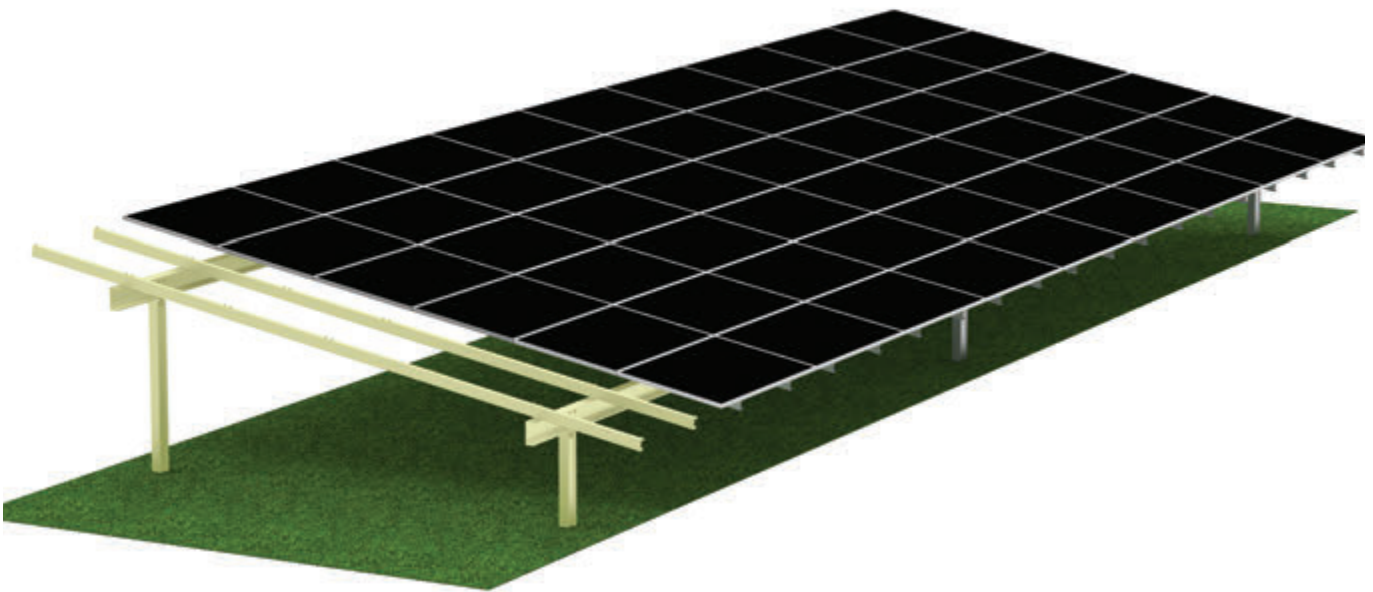
<b>Foundation Type</b>	Ramming Pile    Cement    Steel Pipe inserted into cement
<b>Engineering Condition</b>	For structural reasons, the span is smaller than the N/W type support under the same conditions; Because it's a single pole, the length of the longitudinal beams limits the number of rows.
<b>Ideal Layout</b>	Both long and short.



Rows x Columns

# SUPPORT

# C

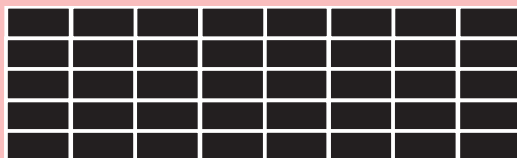


## C TYPE SOLAR GROUND SYSTEM

Material corrosion resistance; Production process a molding; the cut surface is self-healing

### TECHNICAL DATA

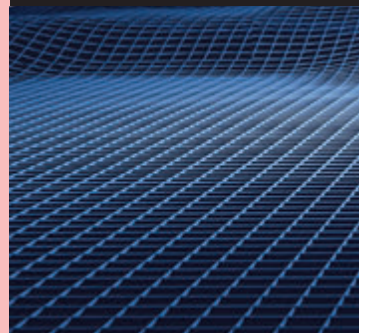
<b>Foundation Type</b>	Ramming Pile	Cement
<b>Engineering Condition</b>	The number of rows and installation angle are flexible, and the structure type can be changed according to the wind and snow load	
<b>Ideal Layout</b>	Both long and short.	



4-5 Rows x Columns

### Application Terrain and Environment

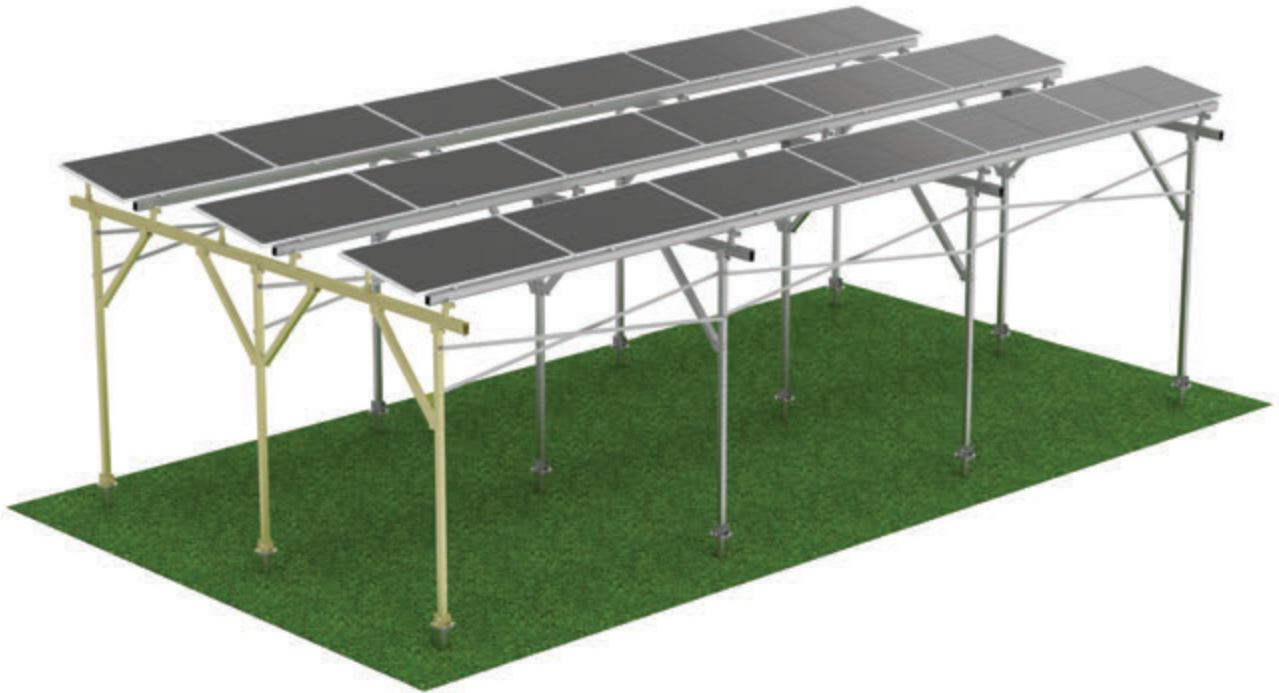
- The ground is nearly flat
- The ground has a slope, and the angle of the slope is almost the same





# F

# STRUCTURE

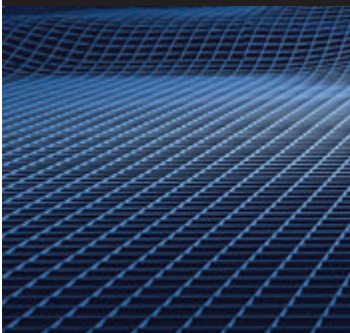


## Application Terrain and Environment

- The ground is nearly flat - In this terrain



LANDSCAPE ONLY



## F TYPE FARM SHED

### TECHNICAL DATA

#### Foundation Type

Cement

Ground Screw

#### Engineering Condition

The conventional installation angle is 5 ° to 20°, and other configurations are required

#### Characteristic

1. The foundation is hot-dip galvanized ground screw, the support is aluminum, beautiful and durable.
2. Pre-installed components are easy to install on site.
3. There is a high height, north-south and east-west direction has a large enough span to ensure that agricultural machinery in and out of the site operation unimpeded.
4. Reasonable panel layout ensures reasonable crop sunshine demand.
5. East, west, north and south direction have cross rail, stable and reliable.

#### Ideal Layout

Both long and short

# SUPPORT

# P

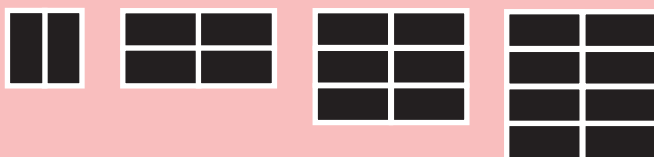


## P TYPE SOLAR POLE SYSTEM

Pre-assembled, durable ground mount frame designed flexibility installs and utility

### TECHNICAL DATA

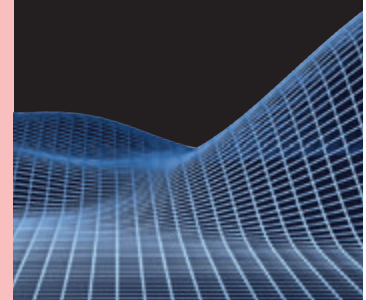
<b>Foundation Type</b>	Ramming Pile    Cement    Steel Pipe inserted into cement
<b>Engineering Condition</b>	Adjustable installation angle, fixed number of modules.
<b>Ideal Layout</b>	Only for short arrays, such as 2, 4, 6, 8, 10, 12 -piece modules.



2, 4, 6, 8 panels

### Application Terrain and Environment

- Irregular terrain, uneven slopes in the east, west, south and north directions
- The ground space is limited, and small areas can also be installed such as houses and gardens.



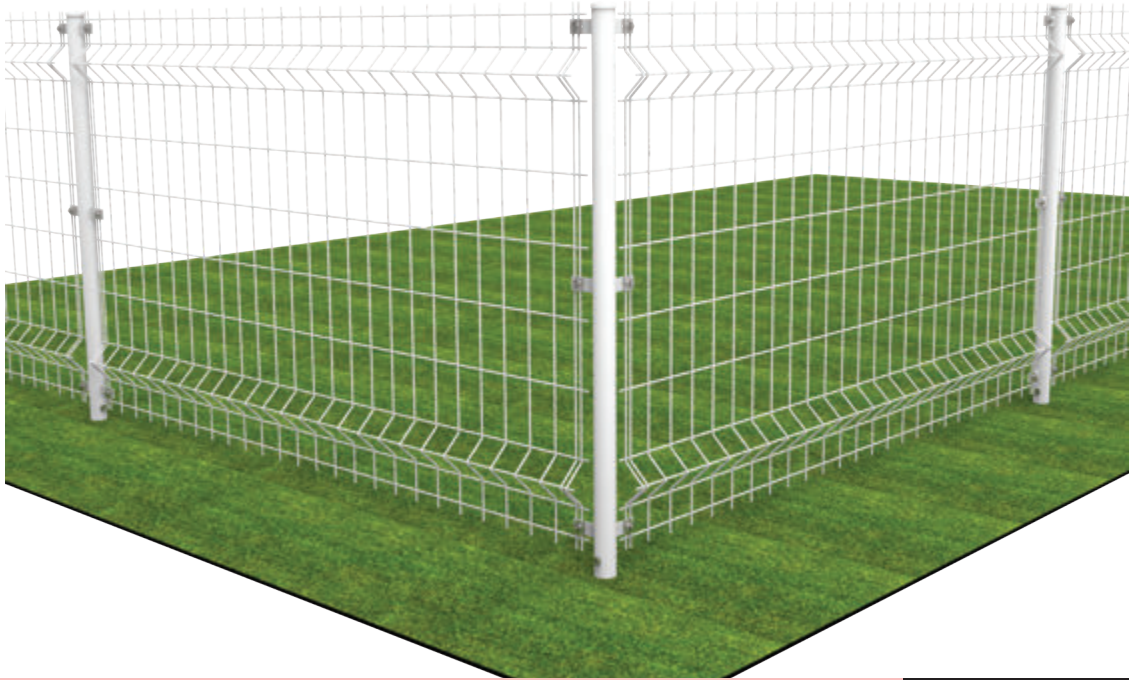


---

**FENCE**



# FENCE



## FENCE

### TECHNICAL DATA

<b>Foundation Type</b>	Ramming Pile    Cement    Ground screw
<b>Applications</b>	Factories, warehouses, buildings and public utility facilities, such as schools, sports fields and sports stadiums, playgrounds, as well as private premises.
<b>Colors</b>	Polyester coated green, red, yellow, white, etc.

### ADVANTAGES

- 1** THE NECESSITY OF SETTING UP THE PROTECTIVE FENCE
- 2** STANDARDIZATION DESIGN FOR PARTS, APPLICABLE TO ALL TYPES OF FIELD FIXATION
- 3** SOLAR POWER FENCING WITH CONCRETE ELECTRIC FENCE WIRE ECONOMY, HIGH QUALITY, SIMPLE CONSTRUCTION
- 4** NATIONAL LAWS AND REGULATIONS DEFINITE IT MUST BE SET UP PREVENT PV POWER STATION SYSTEM FROM BEING STOLEN
- 5** TO PREVENT THE DESTRUCTION OF CHILDREN AND ANIMALS



# GROUND SCREW



HU-GS-A10-0000



HU-GS-A20-0000



HU-GS-A40-0000



HU-GS-A30-0000

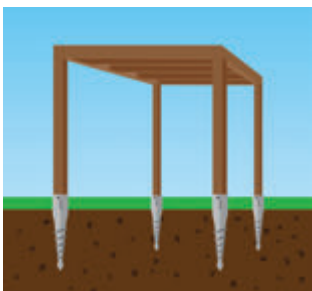
# GROUND SCREW

Ground screw is specially designed for solar ground mounting installation which can support whole solar station systems. This ground screw is good alternative for traditional wooden or concrete base where requires a solid footing. It can wild applied for different hard and stony soil or sand area. Our ground screw system has had with strictly test from wind loads and lateral pull, to horizontal load and lift.

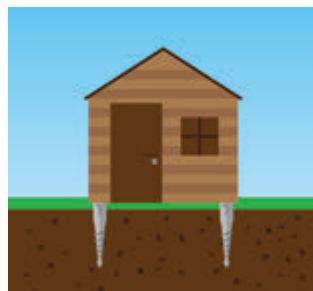
Besides ground screw works as foundation systems for ground mounts, it's also suitable for carport, fence, wood house and flag poles ...



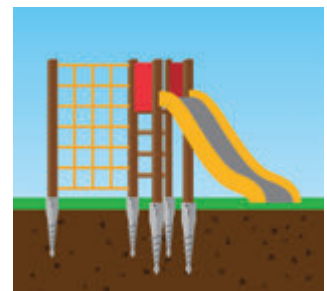
## APPLICATIONS



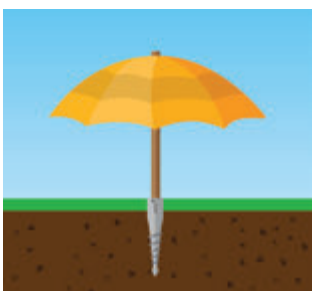
**Pergola**



**Shed/Greenhouse**



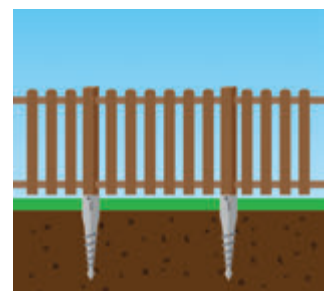
**Playground equipment**



**Umbrellas**



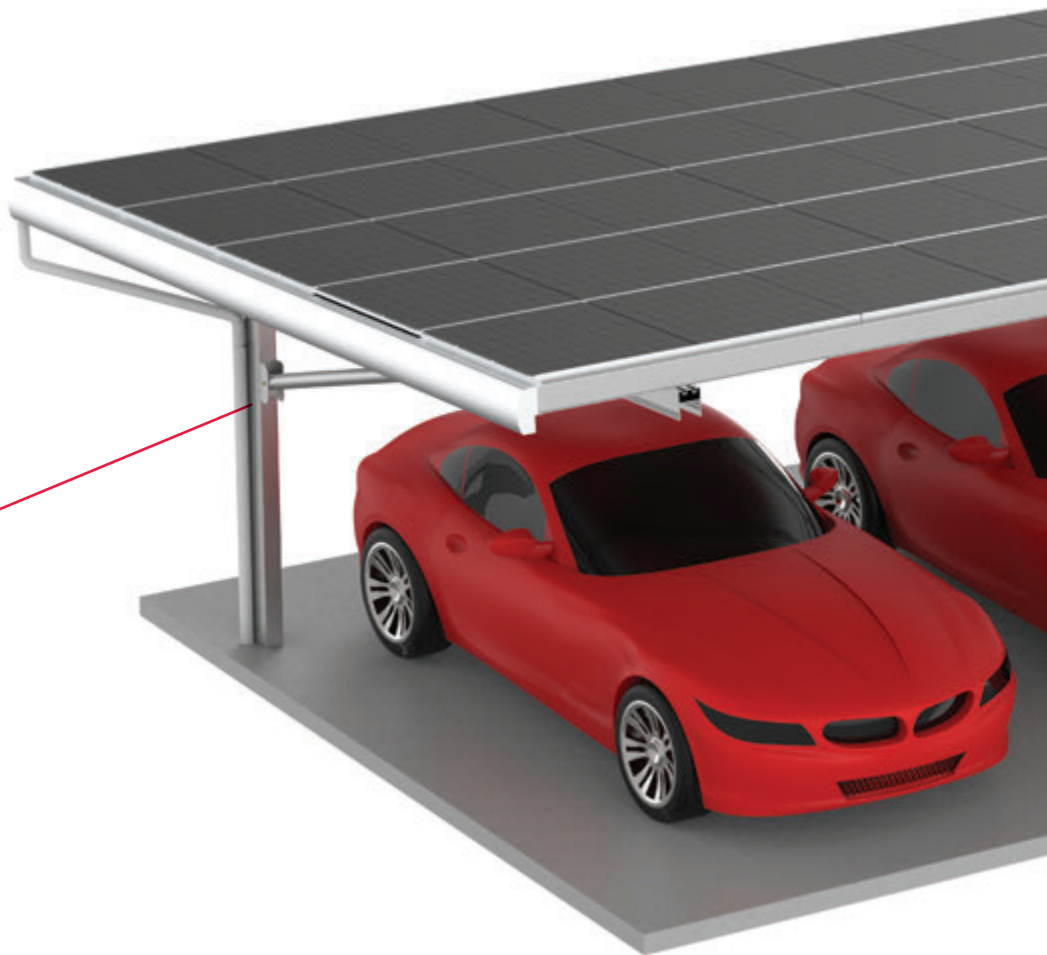
**Decks**



**Fence**



# CARPORT



Pre-Assembled Supports

# CARPORT SYSTEMS

The Carport Ground Mounting System is engineered and designed with robust and swiftness in mind enabling it to endure the harshest of all conditions, such as heavy rain, wind and snow. The system structure supports are packed pre-assembled and has been developed to accommodate a wide range of photovoltaic modules. Each and every Carport System will be designed and customized towards your needs and specifications, whether it be for large scale commercial applications or down to a residential double carpark port, we'll have a solution for you.



PRODUCT WARRANTY



FAST & EASY INSTALLATION



COST EFFECTIVE SOLUTIONS



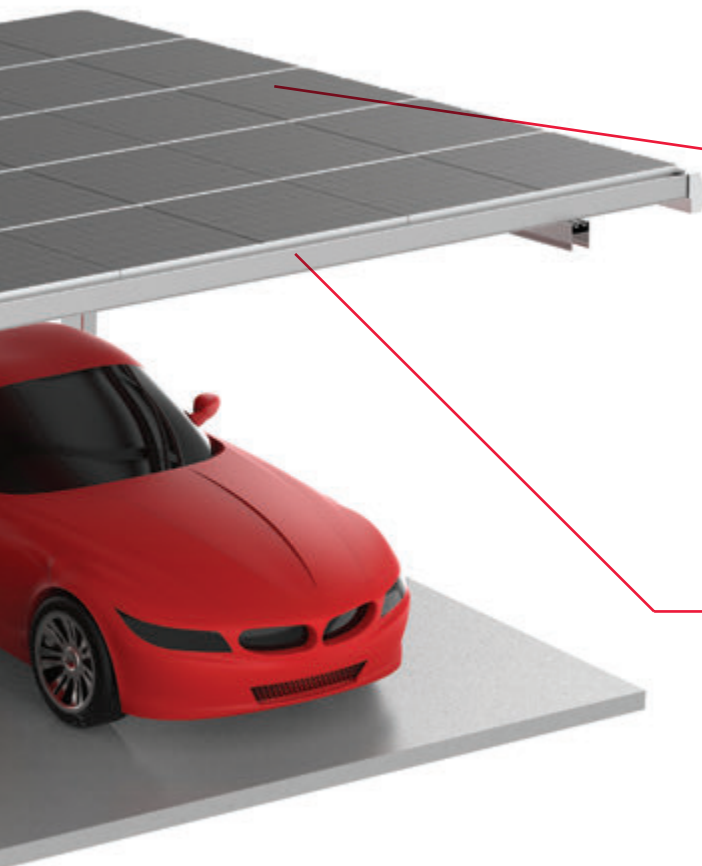
20 YEARS LIFETIME SERVICE



FULL SYSTEM CERTIFICATION



ADAPT TO EXTREME WEATHER



Module Components

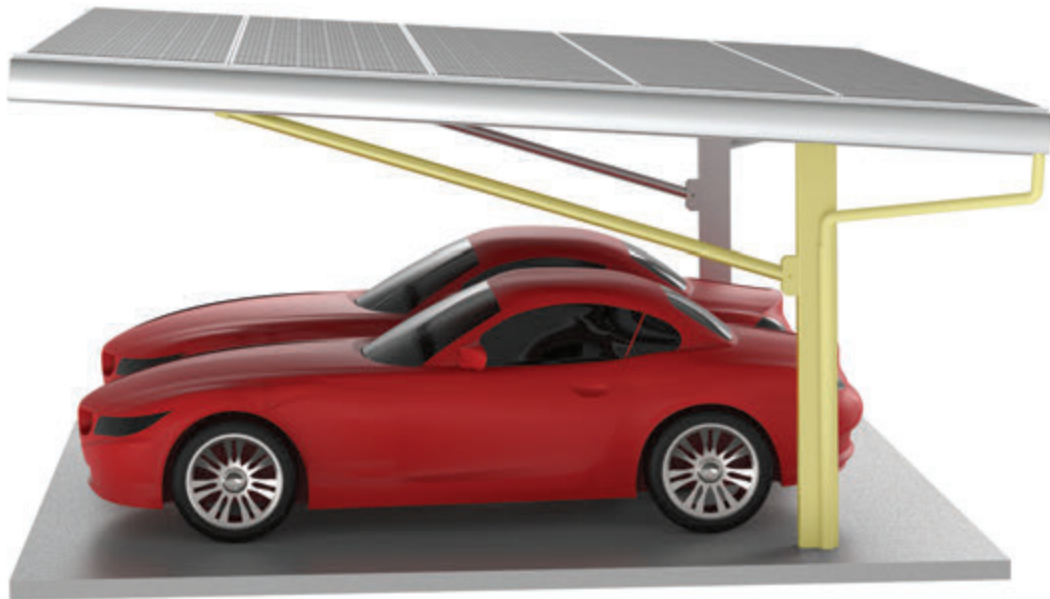


Rails



# Y

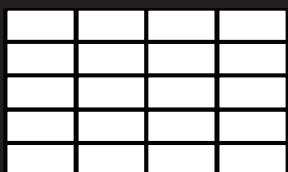
# STRUCTURE



## IDEAL LAYOUT & APPLICATION



LANDSCAPE /  
PORTRAIT



Landscape:  
5 rows x columns

Portrait:  
3rows x columns

## Y TYPE SOLAR CARPORT

### TECHNICAL DATA

**Foundation Type** Fully buried cement

1. The Y-Type structure is constructed from carbon steel. Compared with the N & W type double-column structure, its independent column provides better utility.

2. The positioning of the support allows for full clearance of the car doors opening and closing.

### Features

3. The Y-type single-column structure carbon steel can be made into different styles, and the carbon steel material can be designed according to different loads and installation conditions. It has high flexibility and can handle larger spans than the N & W type structure.

4. Use double-layer structure and channel to make waterproof

# SUPPORT

# W



## W TYPE SOLAR CARPORT

### TECHNICAL DATA

**Foundation Type**

- Fully buried cement
- Semi-buried cement
- Full exposed cement
- Ground screw

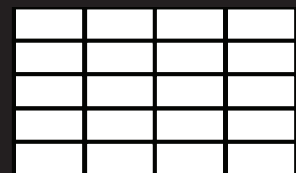
### Features

1. Fully constructed from aluminum.
2. Compared with the N type, the W type is more suitable for installation conditions with medium load, larger installation angle of the carport, and the layout with more rows.
3. Both waterproof and non-waterproof types can be designed according to requirements.
4. Depending on soil conditions, you can choose cement foundation or ground screw foundation.

### IDEAL LAYOUT & APPLICATION



LANDSCAPE/  
PORTRAIT



5 rows x columns



C

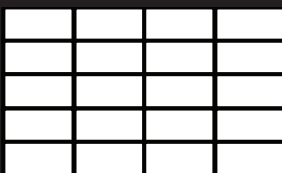
# STRUCTURE



IDEAL LAYOUT & APPLICATION



LANDSCAPE / PORTRAIT



5 rows x columns

## CUSTOM SOLAR CARPORT

Custom Tailor made carports, designed and constructed for every scenario

TECHNICAL DATA

Foundation Type

Fully buried cement

Features

1. Structure constructed from Carbon Steel. Compared with the W type double-column structure, its independent column has a better space for movement. Compared with T type, it can have higher strength.
2. The positioning of the support allows for full clearance of the car doors opening and closing.
3. The structure support can designed according to different loads and installation conditions. It has high flexibility and can handle larger spans than the N & W type structure.





A photograph of a rooftop solar panel installation in a city at dusk. The foreground shows several blue solar panels mounted on a metal frame. The background features a city skyline with tall buildings, some of which are illuminated from within, and a construction crane. The sky is a mix of orange and blue.

# ROOF SOLUTIONS





## TIN

The Tin (Metal) Roof Mounting Solution is suitable for almost any tin roof. It provides a simple and cost-effective solution for mounting all framed and unframed solar panels currently on the market. HUAWEI's wide range of mounting brackets provide for fast and secure fixing to sheet metal, purlins or rafters and for different roofing types at angles from 10 to 60° .

## TILE

The Universal Tiled Roof Mount is suitable for almost any tile roof. It accommodates all framed and unframed solar panels currently on the market. HUAWEI's complete product range of mounting brackets provide for fast and simple fixing to purlins or rafters, without affecting the integrity or function of the tiles themselves. Roof brackets are available for traditional profile tiles and flat tiles. To simplify connection of support rails to the brackets, HUAWEI's rails are designed to allow fixing nuts to be simply swiveled into the rails and flat tiles.



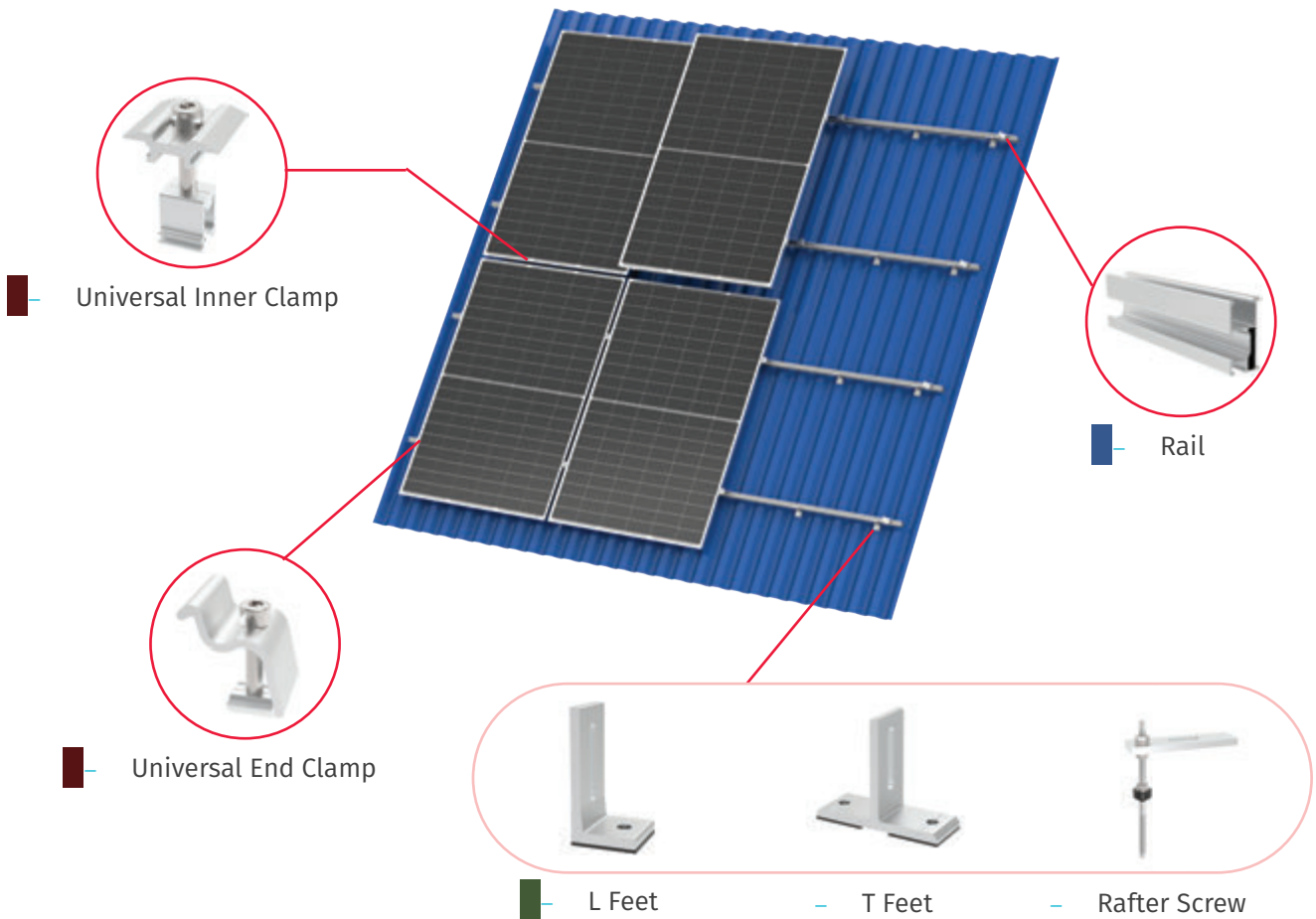
## TILT

The Tilt Systems are quick and easy to install, allowing solar panels to be installed in the angle ranges from 10 to 15 degrees, 15 to 30 degrees and 30 to 60 degrees.


To simplify installation, components are pre-assembled before delivery to site.

- Available tilt angles 10–15°, 15–30° and 30–60°
- Easy to fold, save storage and transportation
- Simple and fast installation
- Easy access to components and connections



# TIN SOLUTION



**IDEAL LAYOUT & APPLICATION**



FRAME/ FRAMELESS COMPATIBLE


LANDSCAPE/ PORTRAIT

## TIN SOLUTION

**TECHNICAL DATA**

**Features**

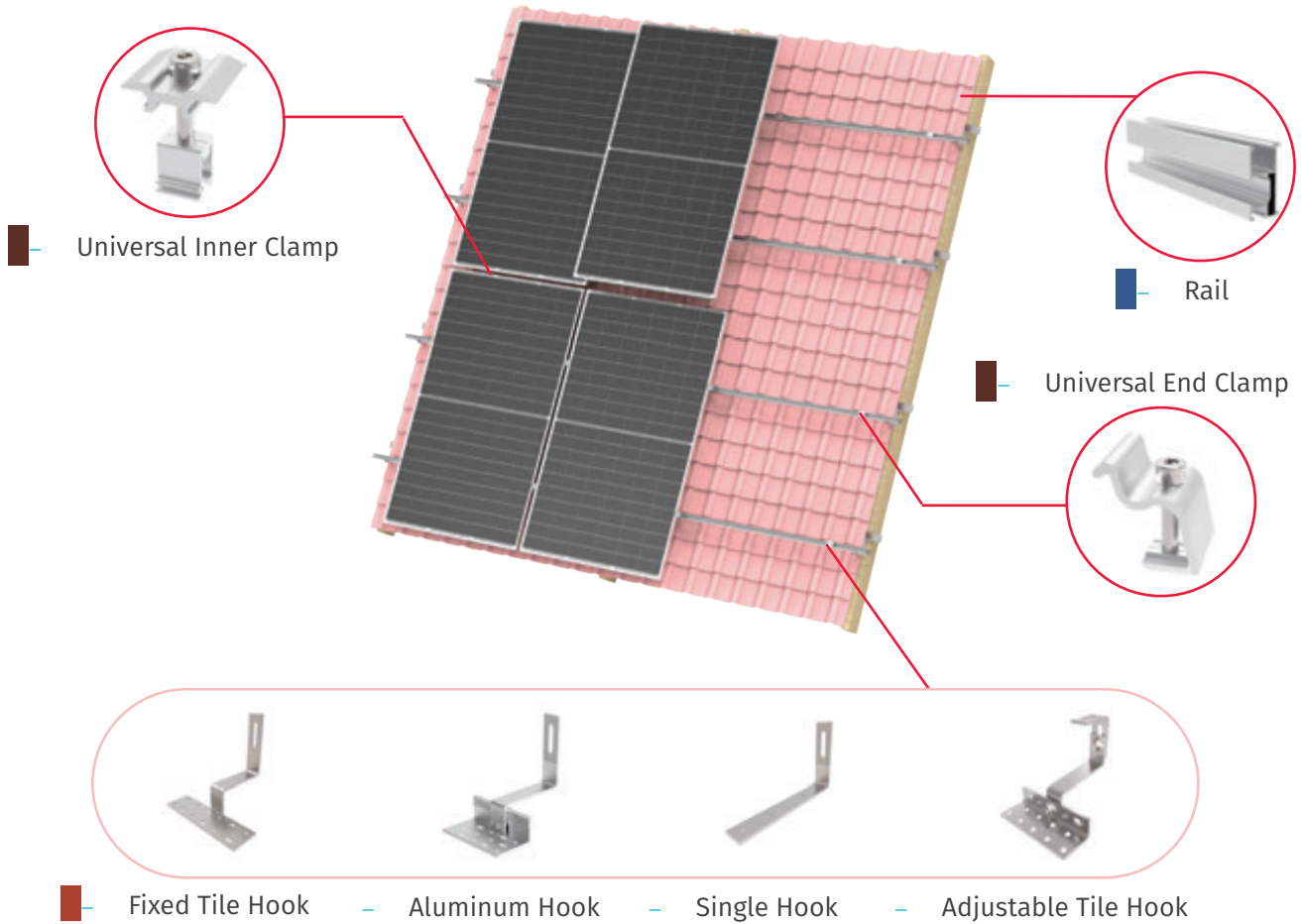
1. The interfaces, rails and clamps are of high quality, robust and corrosion-resistant materials including structural grade alloys.
2. Reliable, robust roof mounting system with high-quality components designed for the harshest conditions.



1 row x columns



# TILE SOLUTION



## TILE SOLUTION

### TECHNICAL DATA

1. This system allows installation on tile roofs.
2. Robust design and high-quality materials.
3. Corrosion resistance is achieved through anodized structural grade aluminum and stainless steel components.

### Features

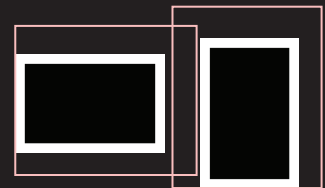


1 row x columns

### IDEAL LAYOUT & APPLICATION

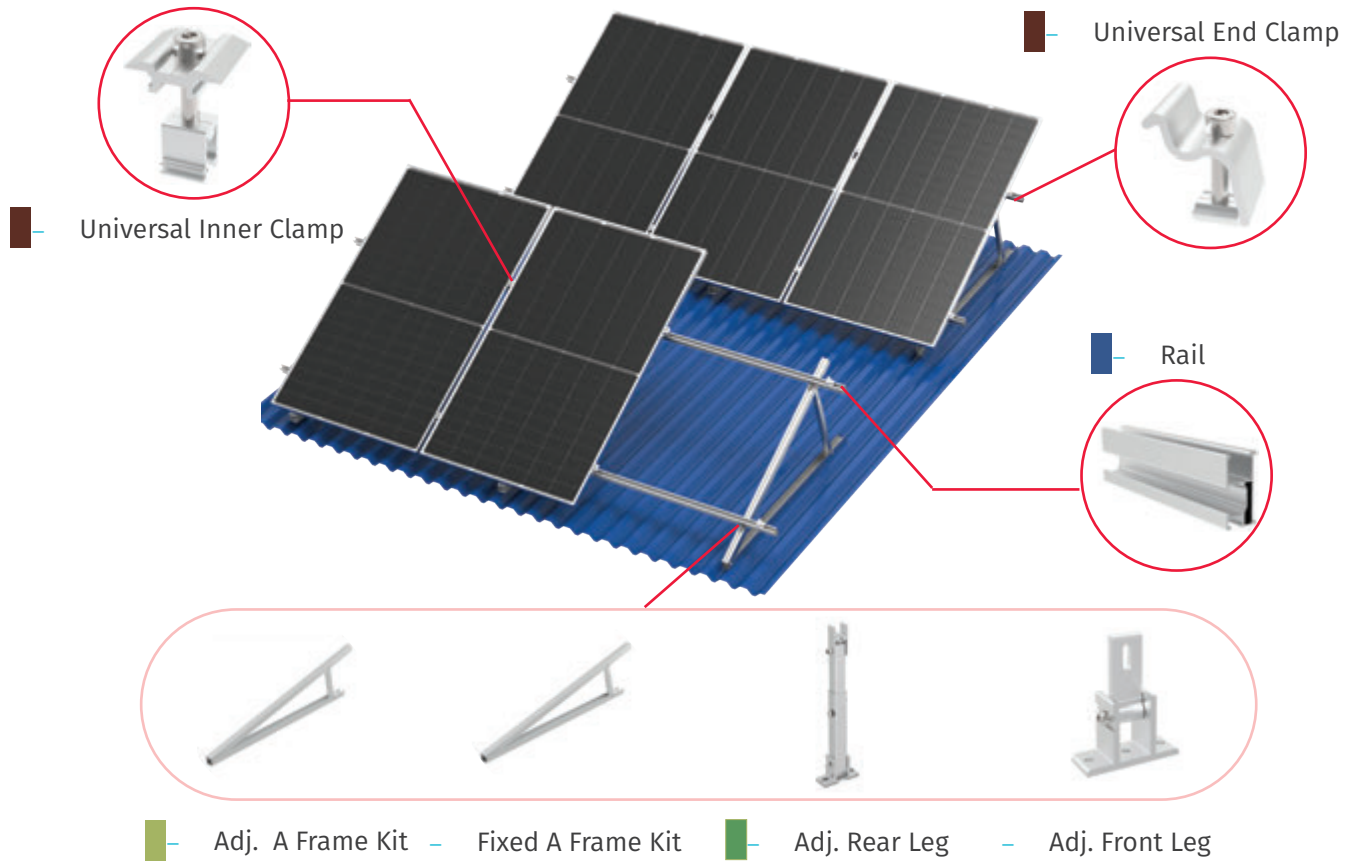



FRAME / FRAMELESS  
COMPATIBLE






LANDSCAPE /  
PORTRAIT

# TILT SOLUTION



  
 FRAME/FRAMELESS  
 COMPATIBLE


  
 LANDSCAPE/PORTRAIT

  
 5°-60° DESIGN

## TILT SOLUTION

### TECHNICAL DATA

1. Angle range from 5 to 60 degrees.
2. It can be installed even in the harshest or corrosive environment.
3. Easy to fold, save storage and transportation.
4. Simple and fast installation.
5. Easy access to components and connection.

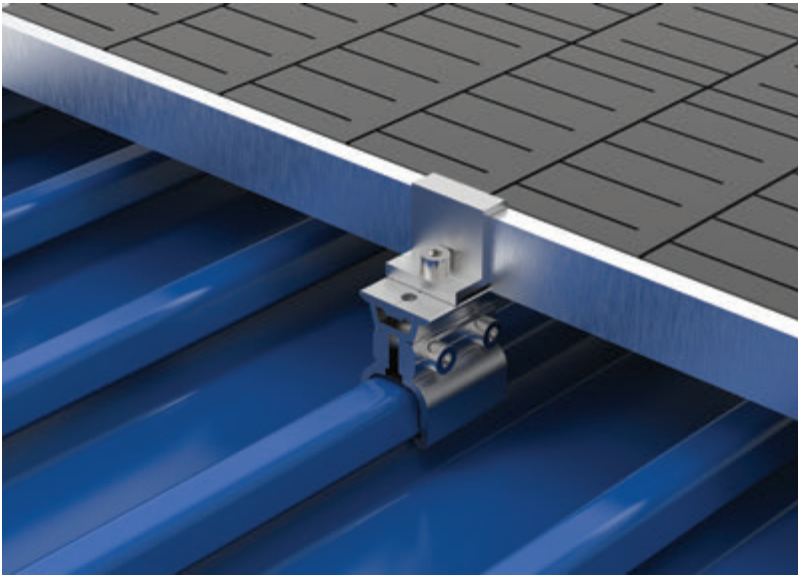
### Features



1 row x columns

# OTHER SOLUTION

## TIN INTERFCAE



Tin Interface



Tin Interface



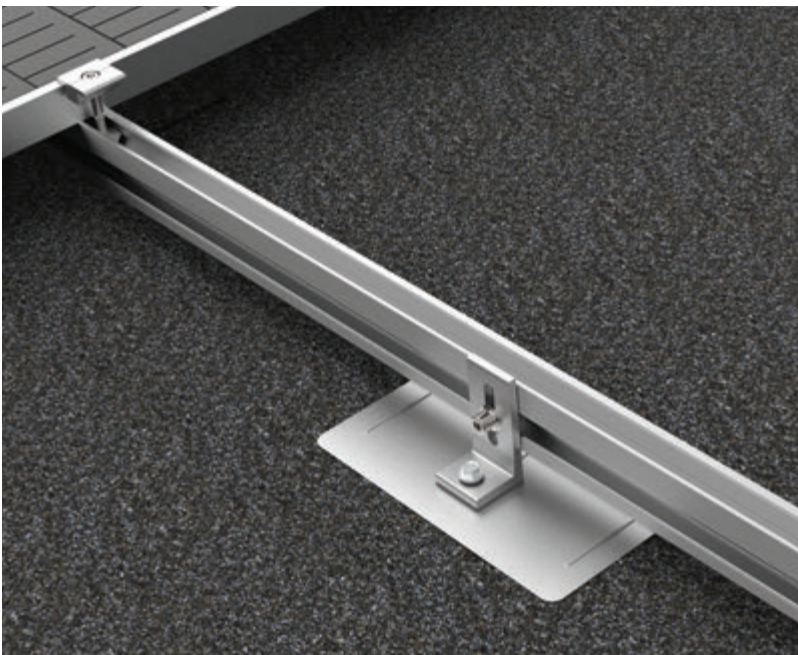
Tin Interface



Longline Interface



## FLASHFOOT

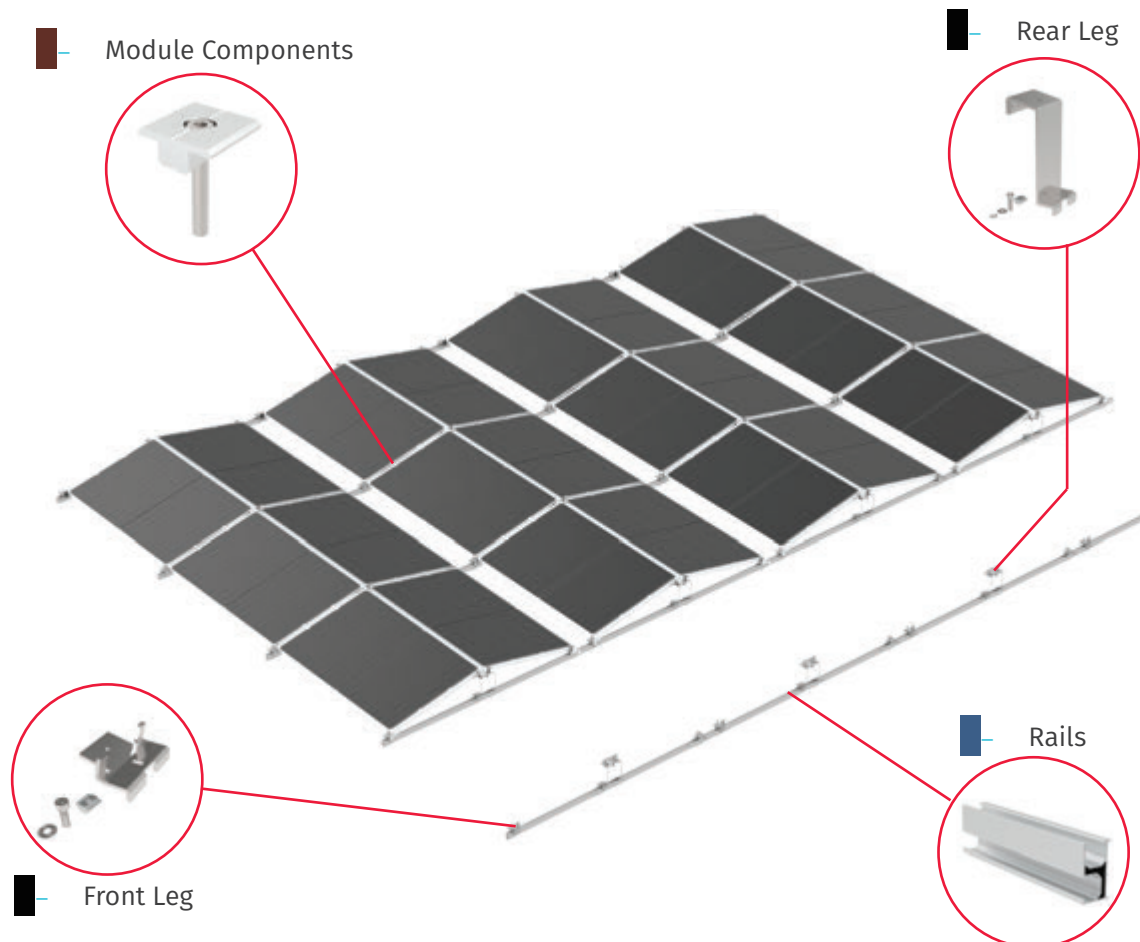


### ADVANTAGES

- 1** ECONOMY: INTEGRATED MOLDING, COST OPTIMIZATION
- 2** MATERIAL DIVERSITY: OPTIONAL GALVANIZED PLATE AND ALUMINUM PLATE FOR DIFFERENT ENVIRONMENTS CAN BE SELECTED
- 3** WATERPROOF: NO WATER LEAKAGE AT THE BRACKET BOLT AFTER INSTALLATION
- 4** SURFACE TREATMENT OPTIONAL: MILL, POWDER COAT AND PRE-PAINTED (PVDF)



# EAST-WEST SYSTEM



## ADVANTAGES

- 1 NO MODULE SELF-SHADING
- 2 HIGH ENERGY PRODUCTION DENSITY
- 3 MORE CONSTANT POWER OUTPUT
- 4 MORE AERODYNAMIC
- 5 LOWER ROOF LOADING PRESSURE

## EAST WEST SYSTEM

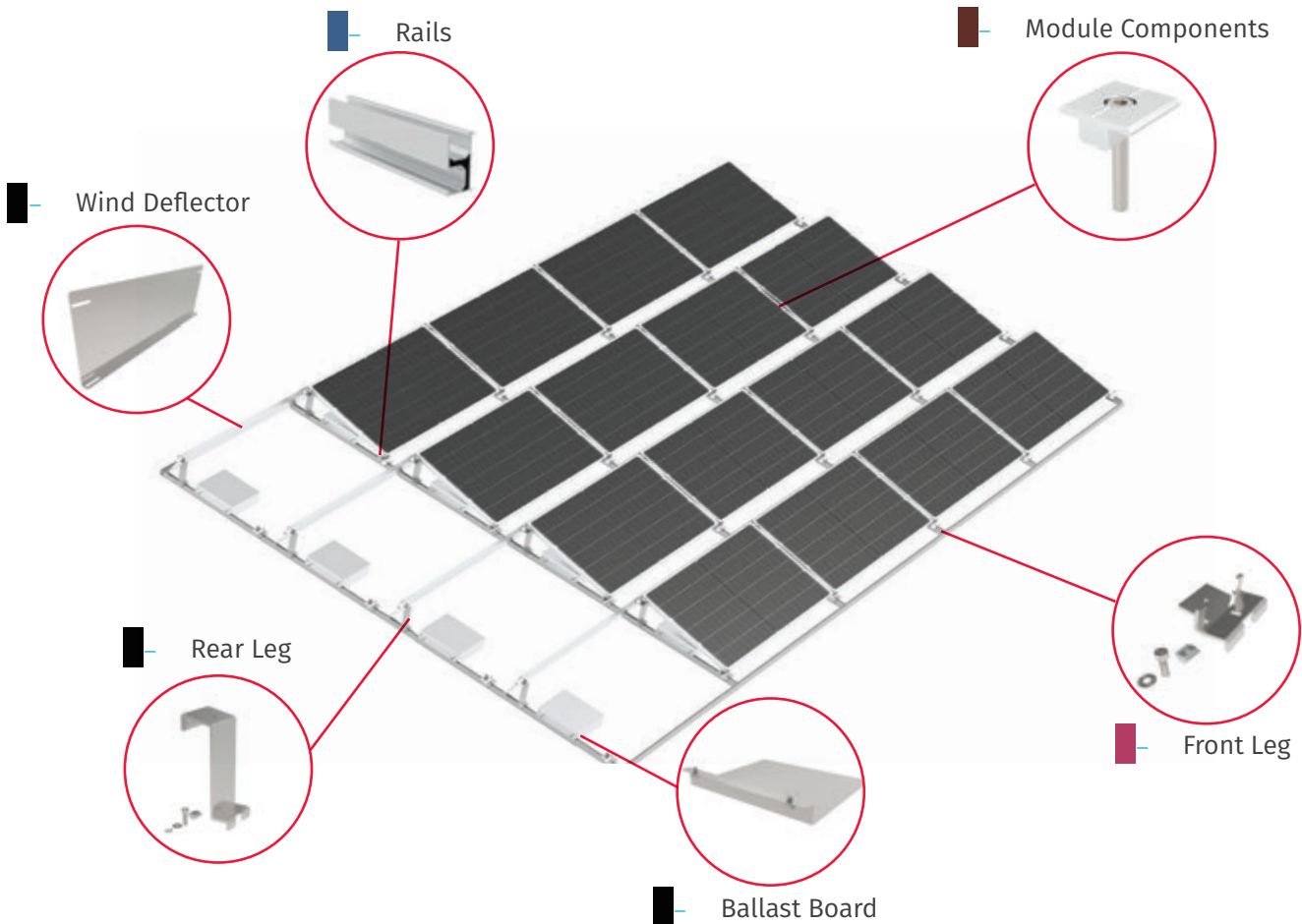
**The East West Mounting System** provides more stable and more consistent power throughout the day relative to south facing designs. It reduces the peak production spike at noon and widens the power duration into the morning and evening. The system is fully constructed from aluminum and designed specially to accommodate mainstream solar modules.

The system can be assembled and placed directly onto the flat roof without the need of drilling holes into the mounting surface, which ultimately eliminates the risk of water leakage through the roof during installation.

The front and rear leg are equipped with a limited position structure, which has the advantages of convenient, fast and labor-saving when installing solar modules

When installed on a flat roof, the ballast tray made of aluminum-magnesium-zinc has good corrosion resistance

# BALLAST SYSTEM



## BALLAST SYSTEM

**The Ballast Mounting Solution** is suitable for almost any flat roof. The system's rigidity and linked rail design can withstand conditions in the high wind, snow and seismic zones and its aluminum and stainless steel components can endure even the most corrosive environments.

The system is fully constructed from aluminum and designed specially to accommodate mainstream solar modules.

The system can be assembled and placed directly onto the flat roof without the need of drilling holes into the mounting surface, which ultimately eliminates the risk of water leakage through the roof during installation.

Our ballast board made from aluminum-magnesium-zinc providing the system with superior corrosion resistance, while our wind deflector is engineered to effectively enhance the stability of the system.



FRAME OR  
FRAMELESS  
COMPATIBLE

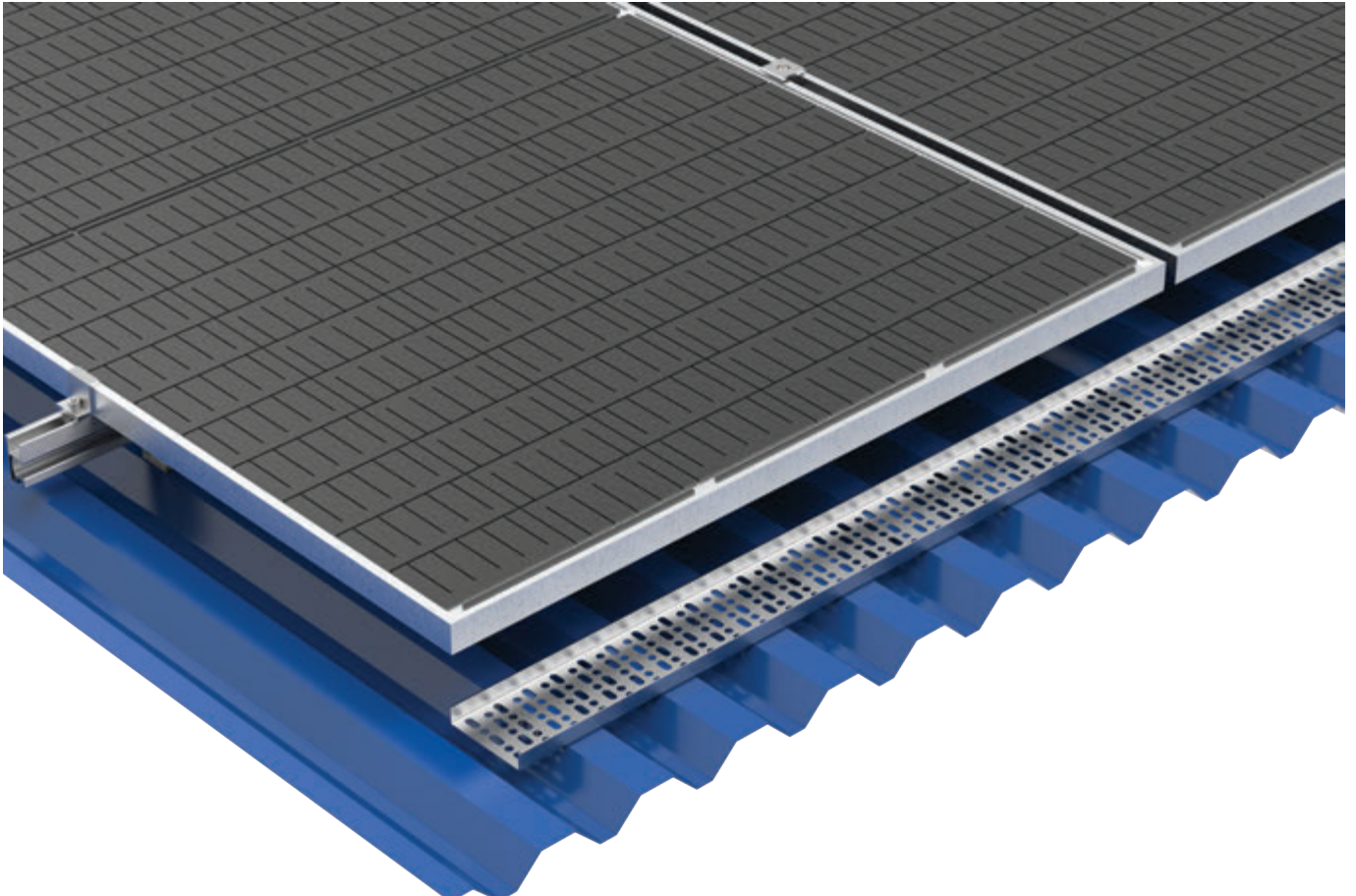


LANDSCAPE ONLY



5°-15° DESIGN

# CABLE TRAY



## ADVANTAGES

- 1** PREVENTING TAMPERING FROM INSECTS OR ANIMALS
- 2** ENHANCES SYSTEM LIFE EXPECTANCY AND PREVENTS CABLE TAMPERING
- 3** KEEPS CABLE HIDDEN FOR A CLEAN AND CLUTTER FREE APPEARANCE

## CABLE TRAY

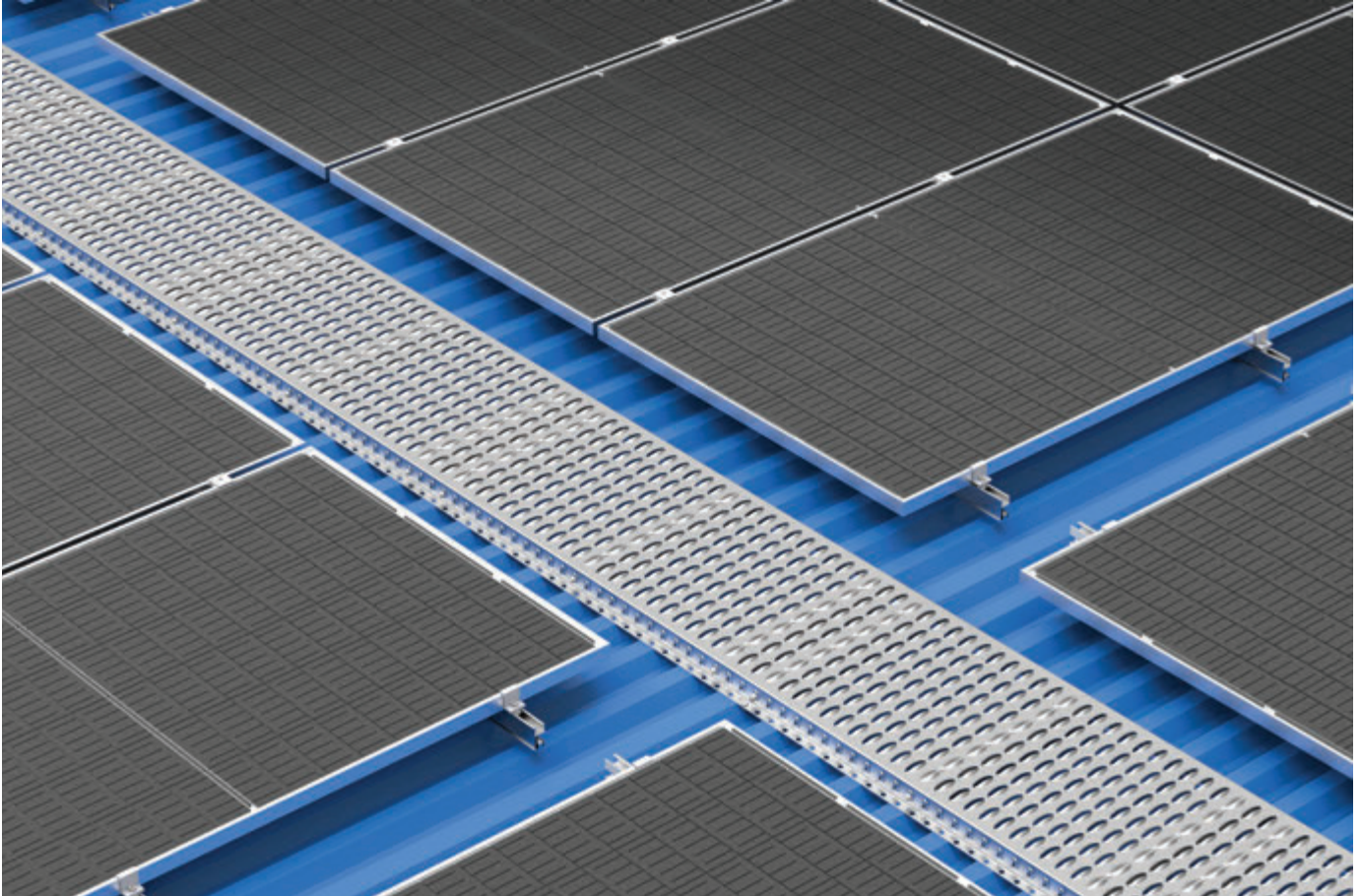
### TECHNICAL DATA

#### Features

The Cable Tray was designed initially for information and energy cables for solar PV systems, however today as a versatile channel, its being used from building infrastructure to IT networking and so much more. The MT Rail is made from aluminum and allows for complex cables to be neatly connected, and with its cover, it provides great aesthetics and concealment.



# WALKWAY



## WALKWAY

### TECHNICAL DATA

#### Features

1. The shape of the surface prevents skidding.
2. Long service life, high quality and affordable.
3. Quick assemble.
4. Good Bearing

#### Application

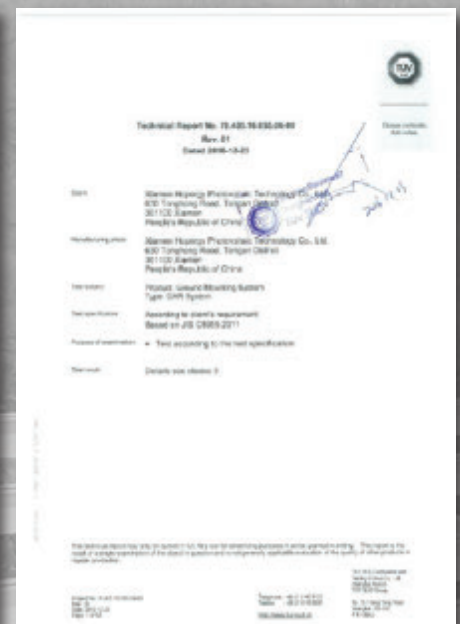
Checkered plate channels are often used to homework, industrial workshop floor, narrow channel, terrace, warehouses, sidewalks and stair tread, etc.

ARE OFTEN USED TO  
HOMEWORK,  
INDUSTRIAL  
WORKSHOP  
FLOOR, NARROW  
CHANNEL, TERRACE,  
WAREHOUSES,  
SIDEWALKS AND STAIR  
TREAD, ETC.



# CERTIFICATES

Customers gain assurance that an independent Engineering has reviewed the product or ensure utmost level of security specification or policy. Third-party certifications give customers confidence that the products and services they invest in are able to meet their needs from a security and trust perspective.



# WARRANTY

## 1. Quality Standards

Production should be conducted in accordance with the local National Industrial Production Standards, and meet local calculation requirement.

## 2. Warranty Period

In order to make customers feel at ease using HUAWEI products, HUAWEI provides all its mounting racks with 10 years quality warranty, during which the company shall be liable for defects in material and workmanship.

## 3. Warranty Conditions and Contents

HUAWEI guarantees that at the time of goods delivery, all components of the supplied products shall be new products, and free from quality defects in materials and product manufacturing. HUAWEI shall repair or replace the defective product if the Product is reasonably proven to be defective from the delivery date till the end of warranty date, on the condition that the Product is subject to customer design requirements and installed in accordance with HUAWEI's written installation instructions, which shall be followed by a quality check of the installation and construction by the construction side.

# TABLE OF CONTENT

HOOK (HU-TRH-)  
.....

Rafter Screw (DS-)  
.....

Tin Roof Clamp (HU-TRB-C)  
.....

Tin Roof Bracket (HU-TRB-B)  
.....

Tin Roof Mount (HU-TRB-F)  
.....

Tin Roof Mount (HU-TRB-A)  
.....

Tin Roof Mount (HU-TRB-AFK)  
.....

RAIL (HU-RA-)  
.....

RAIL JOINER (HU-SK-)  
.....

Panel Clamp (HU-PC-)  
.....

RAIL CLAMP (HU-RC-)  
.....

ACCESSORIES (HU-AC-)  
.....

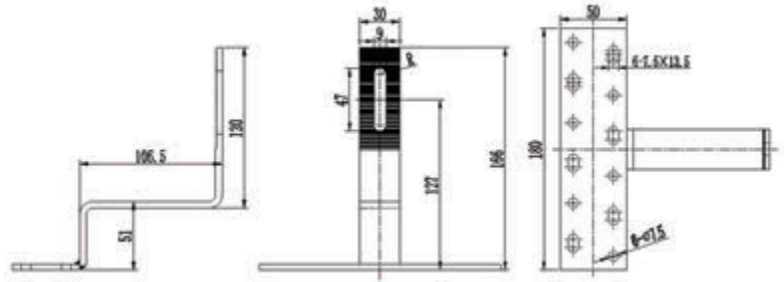
GROUND SCREW (HU-GS-)  
.....

NOVA  
.....





**FIXED HOOK #1**  
**HU-TRH-F01**

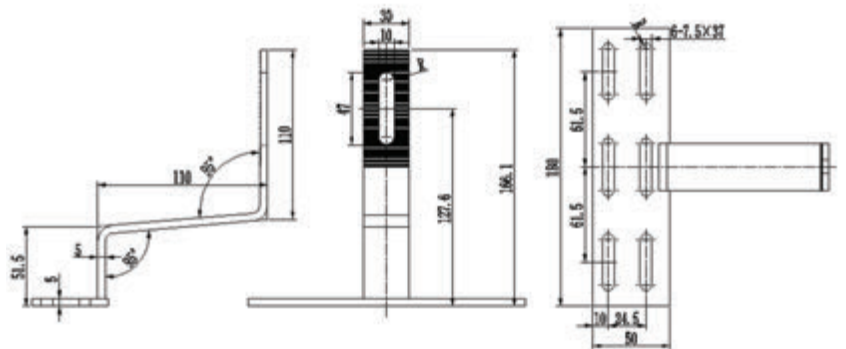


**TECHNICAL DATA**

Weight (g)	587
BOM	HOP-B001-000-01 (SUS304) x 1 HOP-B001-000-02 (SUS304) x 1

**HOOK (HU-TRH-)**

**FIXED HOOK #11**  
**HU-TRH-F11**

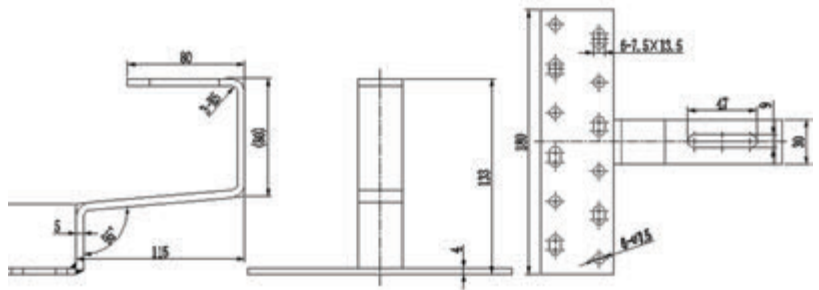


**TECHNICAL DATA**

Weight (g)	577
BOM	HOP-B011-000-02 (SUS304) x 1 HOP-B011-000-01 (SUS304) x 1

# Data Sheet

## FIXED HOOK #4 HU-TRH-F04

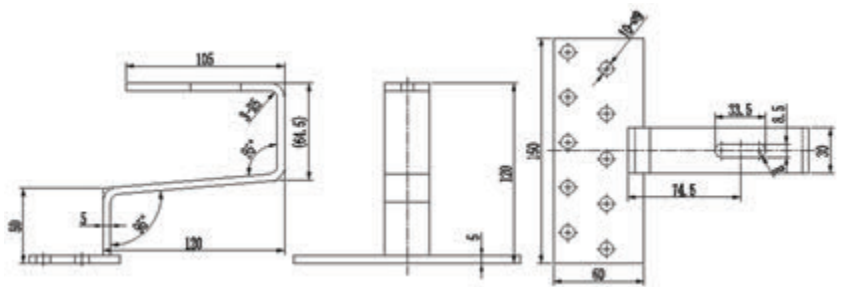


### TECHNICAL DATA

Weight (g) 628

BOM HOP-B004-000-02 (SUS304) x 1  
HOP-B001-000-01 (SUS304) x 1

## FIXED HOOK #13 HU-TRH-F13



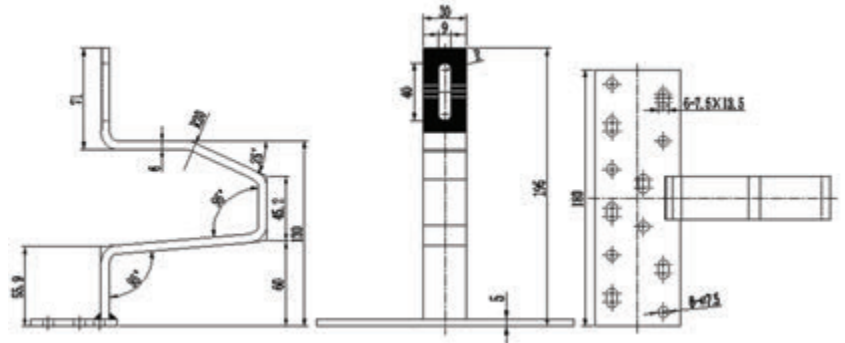
### TECHNICAL DATA

Weight (g) 724

BOM HOP-B013-000-02 (SUS304) x 1  
HOP-B013-000-01 (SUS304) x 1

HOOK (HU-TRH-)

**FIXED HOOK #5  
HU-TRH-F05**

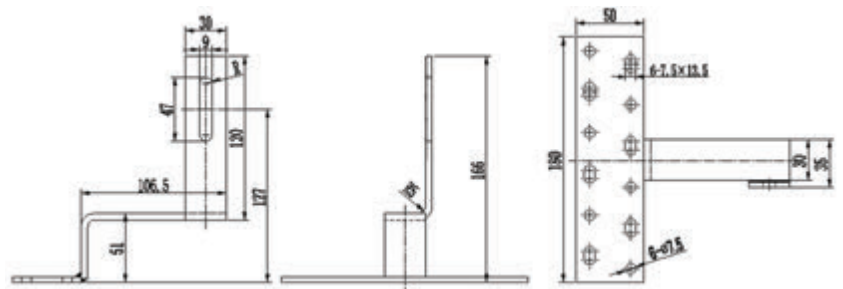


**TECHNICAL DATA**

Weight (g)	958
BOM	HOP-B005-000-02 (SUS304) x 1 HOP-B001-000-01 (SUS304) x 1

**HOOK (HU-TRH-)**

**FIXED HOOK #3  
HU-TRH-F03**



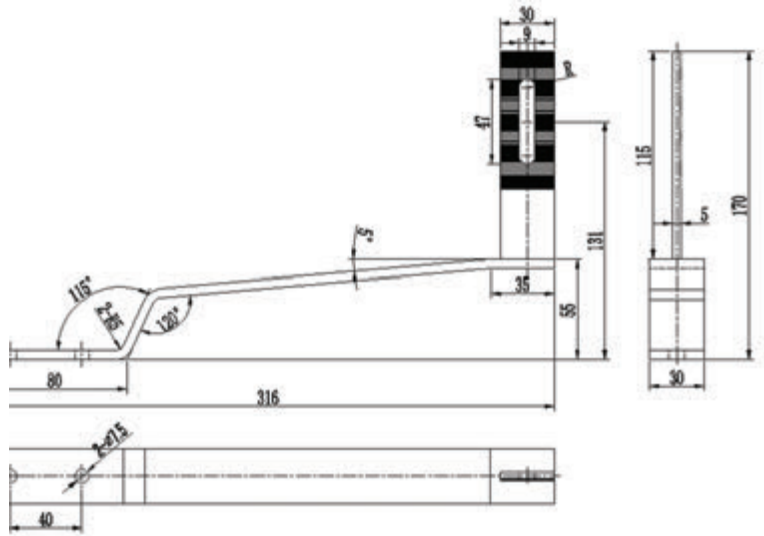
**TECHNICAL DATA**

Weight (g)	585
BOM	HOP-B003-000 -02(SUS304) x 1 HOP-B001-000-01 (SUS304) x 1



# Data Sheet

## FIXED HOOK #12 HU-TRH-F12



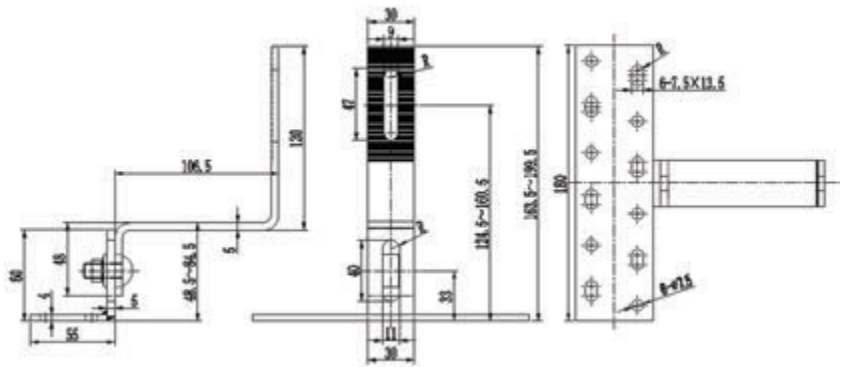
### TECHNICAL DATA

Weight (g) 502

BOM HOP-B012-000-02 (SUS304) x 1  
HOP-B012-000-01 (SUS304) x 1

**HOOK (HU-TRH-)**

## ADJUSTABLE HOOK #1 HU-TRH-A01

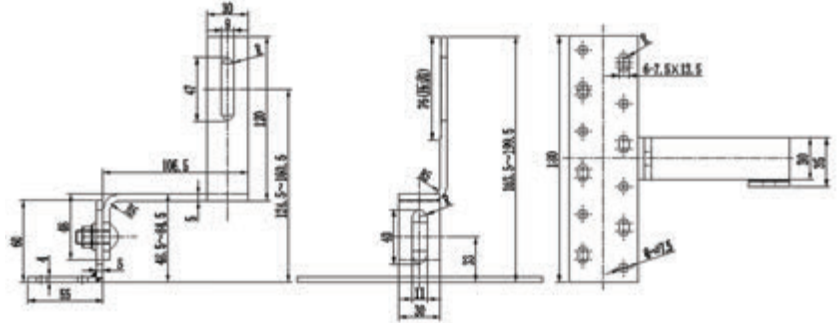


### TECHNICAL DATA

Weight (g) 698

BOM HOP-C001-000-02 (SUS304) x 1  
HOP-C001-000-01 (SUS304) x 1  
M10\*30 Carriage screws (SUS304) x 1  
M10 Flange Hexagon Nuts (SUS304) x 1

**ADJUSTABLE HOOK #3**  
**HU-TRH-A03**



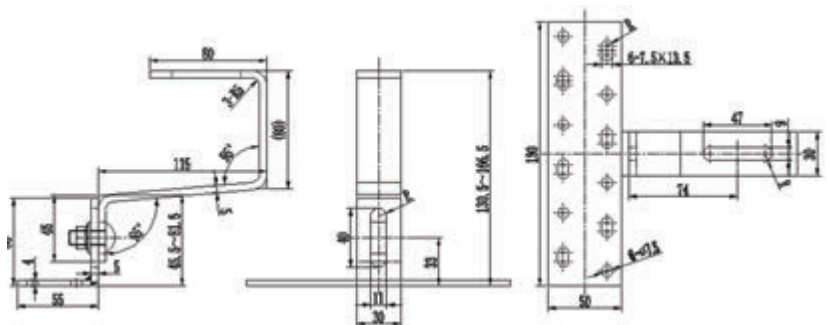
**TECHNICAL DATA**

Weight (g) 692

BOM  
HOP-C003-000-02 (SUS304) x 1  
HOP-C001-000-01 (SUS304) x 1  
M10 Flange Hexagon Nuts (SUS304) x 1  
M10\*30 Carriage screws (SUS304) x 1

**HOOK (HU-TRH-)**

**ADJUSTABLE HOOK #4**  
**HU-TRH-A04**



**TECHNICAL DATA**

Weight (g) 735

BOM  
HOP-C004-000-02 (SUS304) x 1  
HOP-C001-000-01 (SUS304) x 1  
M10 Flange Hexagon Nuts (SUS304) x 1  
M10\*30 Carriage screws (SUS304) x 1







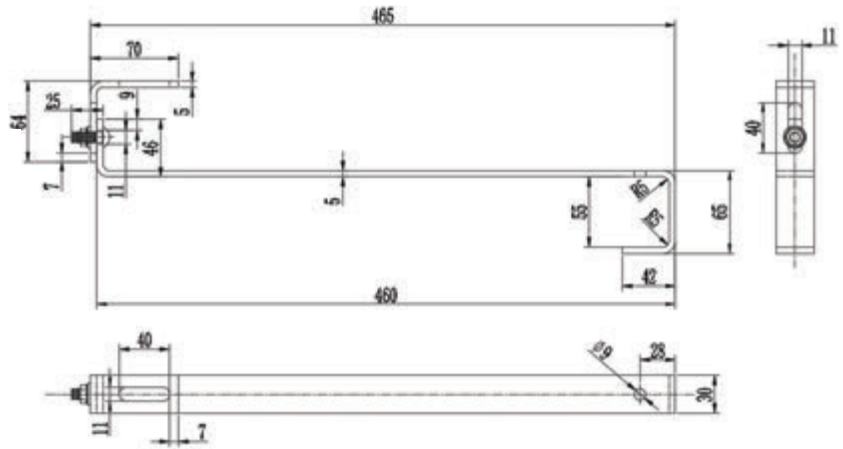






# Data Sheet

## ADJUSTABLE HOOK #16 HU-TRH-A16

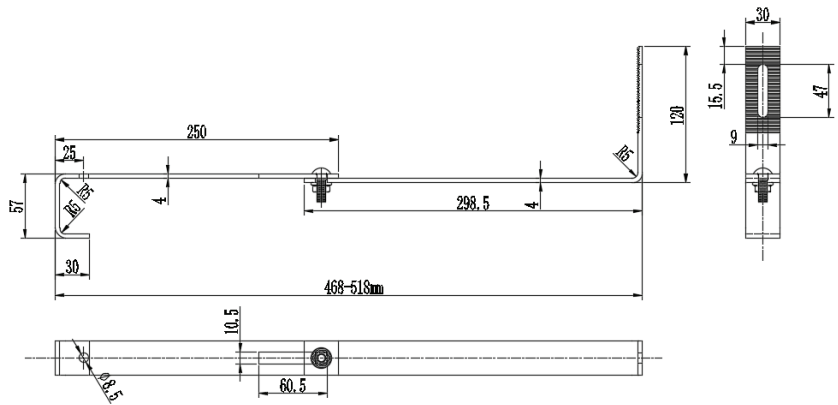


### TECHNICAL DATA

Weight (g)	843
BOM	HOP-C016-0001 (SUS304) x 1 HOP-C016-0002 (SUS304) x 1 M10 Flange Hexagon Nuts (SUS304) x 1 M10*25 Carriage screws (SUS304) x 1

**HOOK (HU-TRH-)**

## ADJUSTABLE HOOK #17 HU-TRH-A17



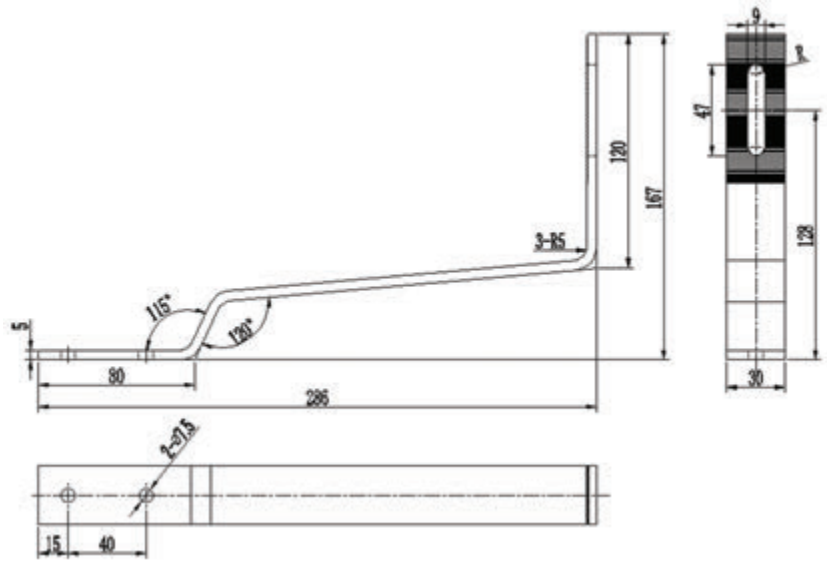
### TECHNICAL DATA

Weight (g)	684
BOM	HOP-C017-0001 (SUS304) x 1 HOP-C017-0002 (SUS304) x 1 M10 Flange Hexagon Nuts (SUS304) x 1 M10*25 Carriage screws (SUS304) x 1



# Data Sheet

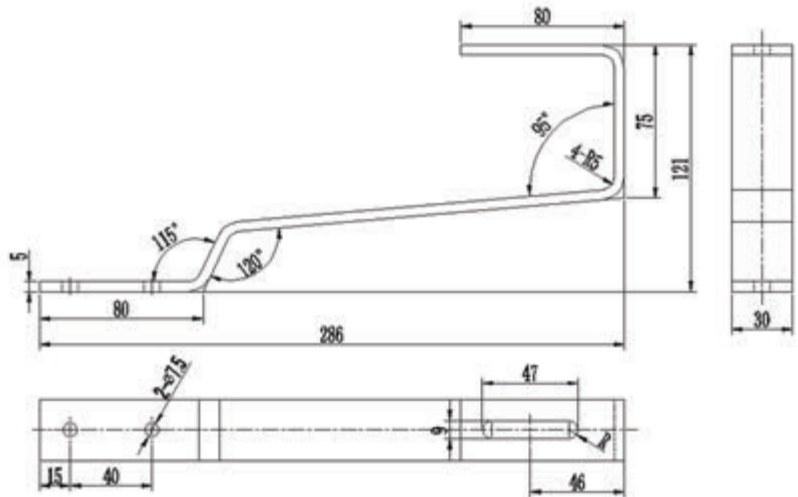
## SINGLE HOOK #6 HU-TRH-S06



### TECHNICAL DATA

Weight (g)	492
BOM	HOP-D006-000 (SUS304) x 1

## SINGLE HOOK #7 HU-TRH-S07



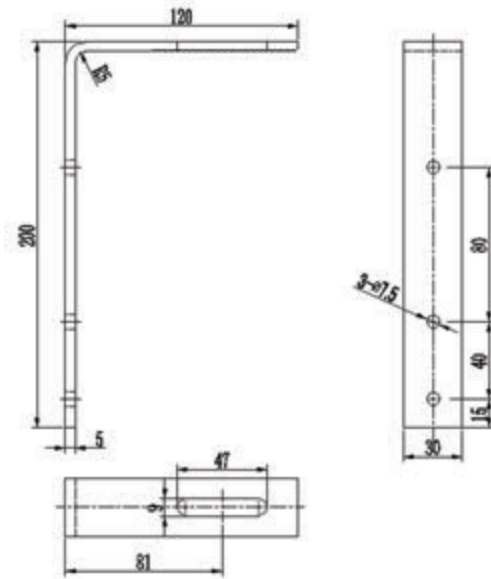
### TECHNICAL DATA

Weight (g)	522
BOM	HOP-D007-000 (SUS304) x 1

HOOK (HU-TRH-)



**SINGLE HOOK #9**  
**HU-TRH-S09**



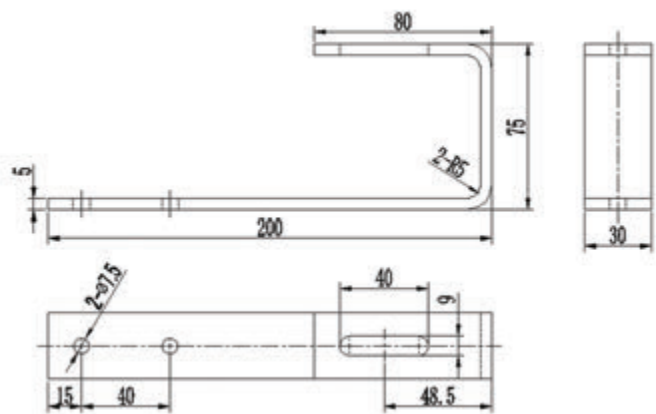
**TECHNICAL DATA**

Weight (g) 370

BOM HOP-D009-000 (SUS304) x 1

**HOOK (HU-TRH-)**

**SINGLE HOOK #10**  
**HU-TRH-S10**



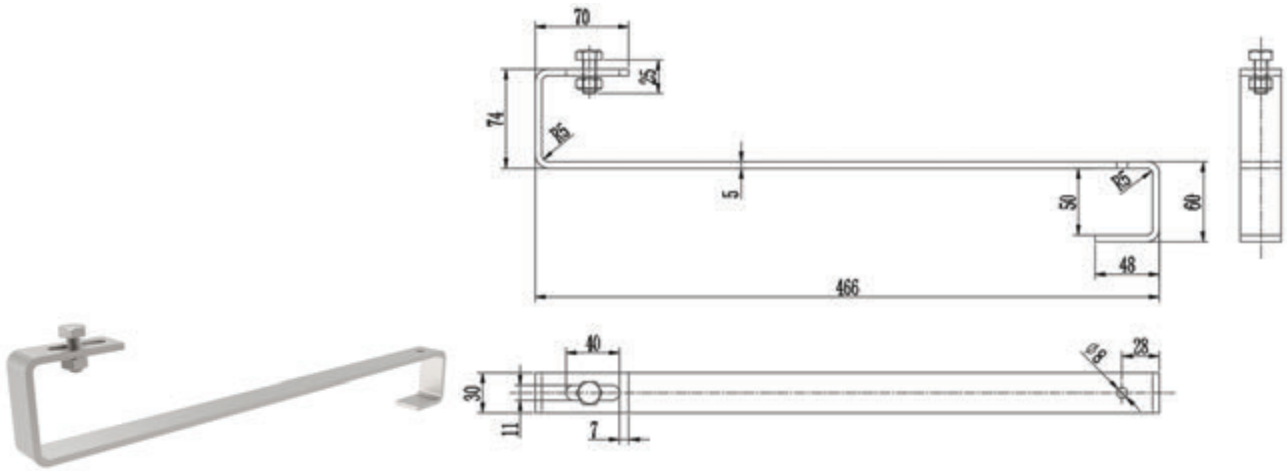
**TECHNICAL DATA**

Weight (g) 499

BOM HOP-D010-000 (SUS304) x 1

# Data Sheet

## ADJUSTABLE HOOK #15-HB2 HU-TRH-S15-HB2

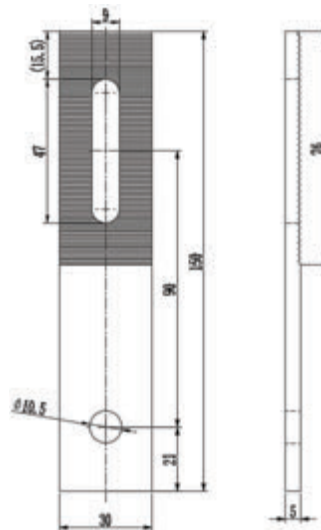


### TECHNICAL DATA

Weight (g)	839
BOM	HOP-D015-0001 (SUS304) x 1 M10*25 Hex Head Cap Screw x 1 M10 Hexagon Nut x 1

**HOOK (HU-TRH-)**

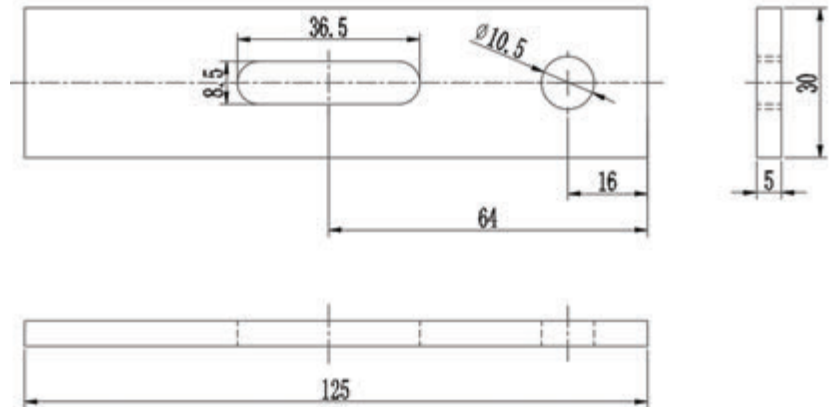
## SINGLE HOOK #8 HU-TRH-S08



### TECHNICAL DATA

Weight (g)	178
BOM	HOP-D008-0001 (SUS304) x 1

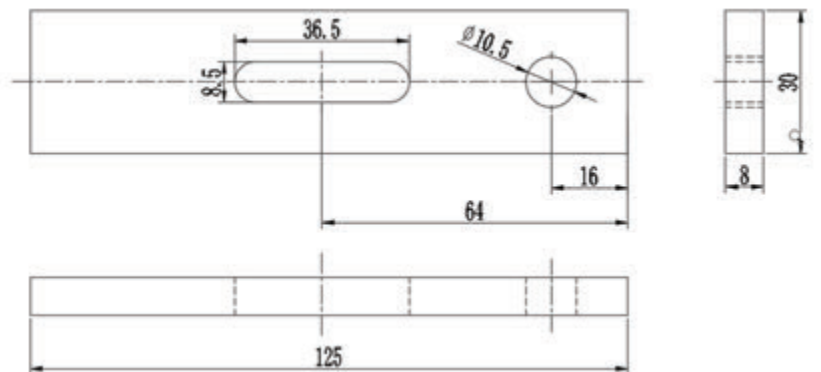
**SINGLE HOOK #5**  
**HU-TRH-S05**



**TECHNICAL DATA**

Weight (g)	148
BOM	HOP-D005-0001 (SUS304) x 1

**SINGLE HOOK #16**  
**HU-TRH-S16**



**TECHNICAL DATA**

Weight (g)	81
BOM	HOP-D005-0002 (AL5052-H32) x 1

**HOOK (HU-TRH-)**



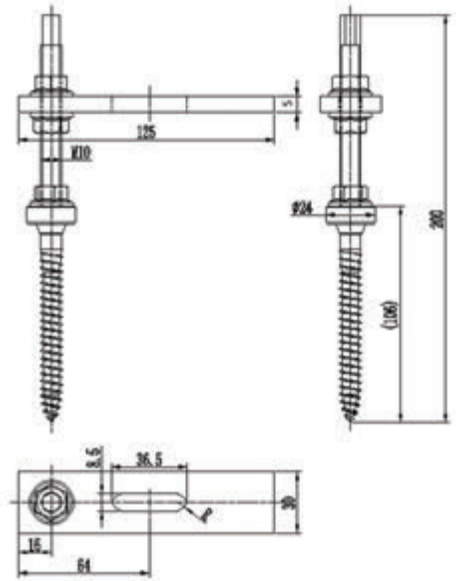


**HOOK (HU-TRH-)**

**DOUBLE THREADED RAFTER SCREW  
HU-DS-200M10A1-S05**



**!** M10\*200MM (STAINLESS STEEL)



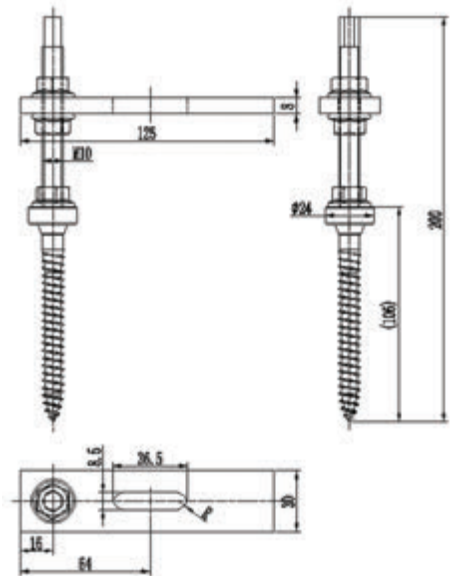
**TECHNICAL DATA**

Weight (g)	379
BOM	HOP-D005-000 (SUS304) x 1 Φ24×13.5 Rubber mat (EPDM) x 1 M10*200 Double Threaded Rafter Screws (SUS304) x1 M10 flange Hexagon Nuts (SUS304) x 3

**DOUBLE THREADED RAFTER SCREW  
HU-DS-200M10A1-S16**



**!** M10\*200MM (ALUMINUM)



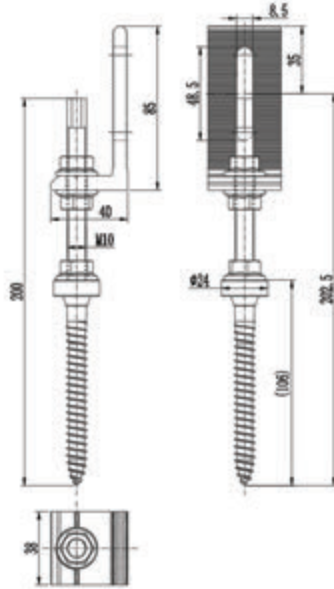
**TECHNICAL DATA**

Weight (g)	224
BOM	HOP-D005-100 (AL5052-H32) x 1 Φ24×13.5 Rubber mat (EPDM) x 1 M10 flange Hexagon Nuts (SUS304) x 3 M10*200 Double Threaded Rafter Screws (SUS304) x1

**Roof Screw (DS-)**

# Data Sheet

## DOUBLE THREADED RAFTER SCREW HU-DS-200M10A1-BF01



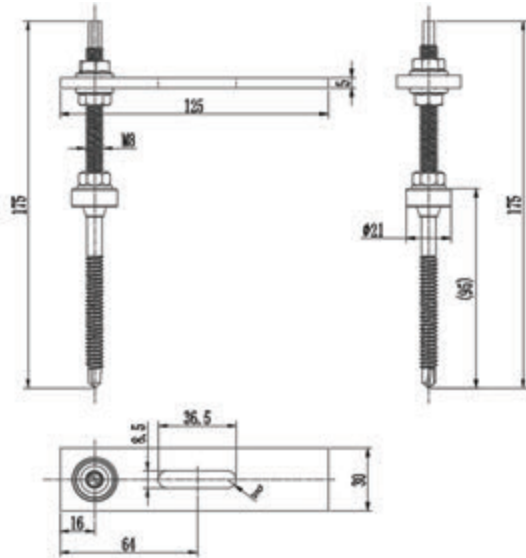
**!** M10\*200MM (L FEET)

### TECHNICAL DATA

Weight (g) 228

BOM HOP-H01-0X38 (AL6005-T5) x 1  
 Φ24×13.5 Rubber mat (EPDM) x 1  
 M10\*200 Double Threaded Rafter Screws (SUS304) x1  
 M10 flange Hexagon Nuts (SUS304) x3

## DOUBLE THREADED RAFTER SELF-TAPPING SCREW HU-DS-175M8B1-S16



**!** M8\*175MM (STAINLESS STEEL)

### TECHNICAL DATA

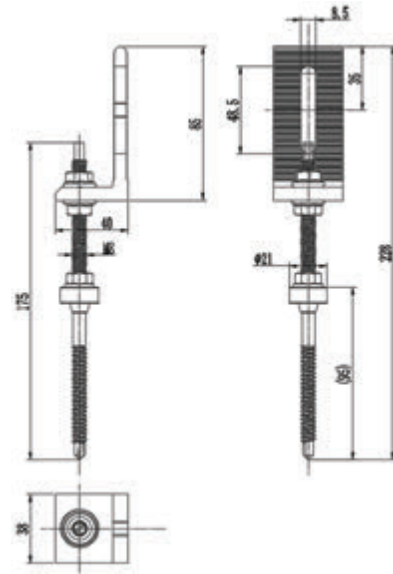
Weight (g) 220

BOM HOP-D005-000 (SUS304) x 1  
 K25-0014.D100 (EPDM) x 1  
 L28-0175.B300 (SUS410) x1  
 M8 flange Hexagon Nuts (SUS304) x 2  
 M8 Hexagon Nuts (SUS304) x 1  
 M8 Plain Washer (SUS304) x 1

**Roof Screw (DS-)**



**DOUBLE THREADED RAFTER SELF-TAPPING SCREW  
HU-DS-175M8B1-BF01**



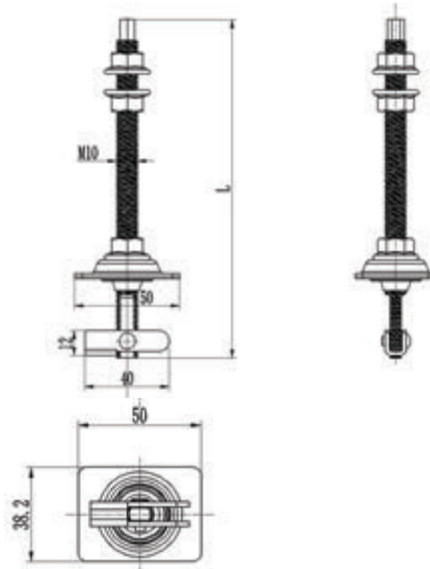
**!** M8\*175MM (L FEET)

**TECHNICAL DATA**

Weight (g)	159
BOM	HOP-H01-0X38 (AL6005-T5) x 1 K25-0014.D100 (EPDM) x 1 L28-0175.B300 (SUS410) x1 M8 flange Hexagon Nuts (SUS304) x 2 M8 Hexagon Nuts (SUS410) x 1

**Roof Screw (DS-)**

**HANGER SCREW M10  
HU-DS-000M10C1**



**TECHNICAL DATA**

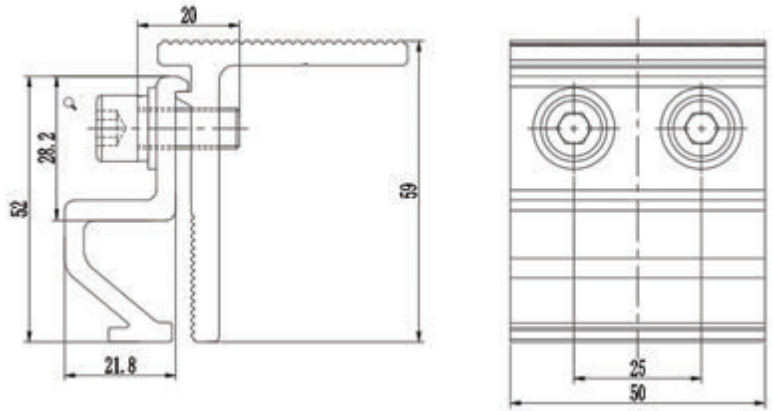
Weight (g)	See table
BOM	HOP-L30-0000 (SUS304) x 1 HOP-L31-0040 (SUS304) x 1 HOP-L32-0050 (SUS304) x 1 HOP-K26-0050 (EPDM) x 1 HOP-K20-0014 (EPDM) x 1 Φ4*12 Rivet (SUS304) x 1 M10 Flange Hexagon Nuts (SUS304) x 3

No	P/N #	Size L	Weight	Remark
1	DS-160M10C1	160	0.165	
2	DS-200M10C1	200	0.184	
3	DS-310M10C1	310	0.236	



# **Roof Screw (DS-)**

**TIN INTERFCE BRACKET #1**  
**HU-TRB-C01**



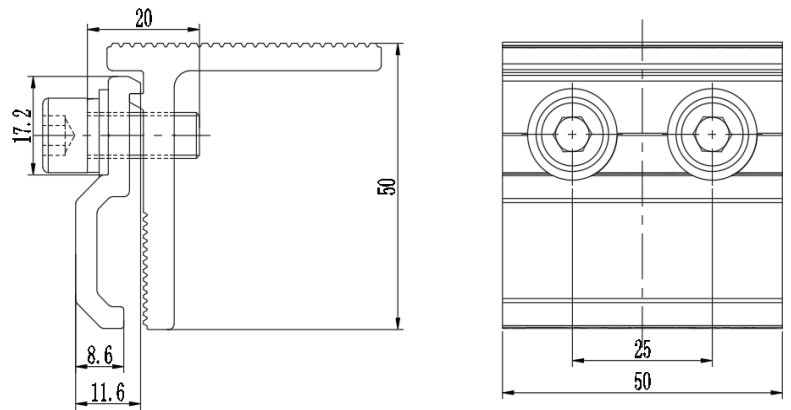
**TECHNICAL DATA**

Weight (g) 153

BOM  
 HOP-H06-0050 (AL6005-T5) x 1  
 HOP-H07-0050 (AL6005-T5) x 1  
 M8\*20 Hexagon socket head cap screws (SUS304) x2  
 d8 Plain washers(SUS304) x2  
 d8 Spring washers (SUS304) x 2

**Tin Roof Clamp (HU-TRB-C)**

**TIN INTERFCE BRACKET #2**  
**HU-TRB-C02**



**TECHNICAL DATA**

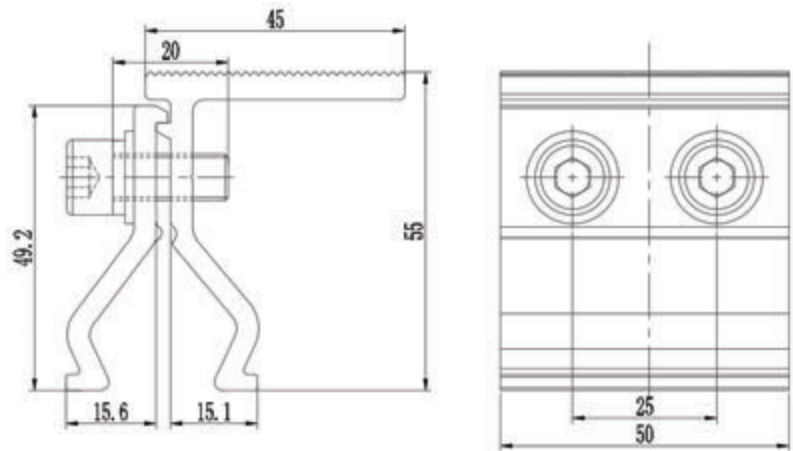
Weight (g) 125

BOM  
 HOP-H08-0050 (AL6005-T5) x 1  
 HOP-H09-0050 (AL6005-T5) x 1  
 M8\*20 Hexagon socket head cap screws (SUS304) x2  
 d8 Plain washers(SUS304) x2  
 d8 Spring washers (SUS304) x 2



# Data Sheet

## TIN INTERFCE BRACKET #3 HU-TRB-C03

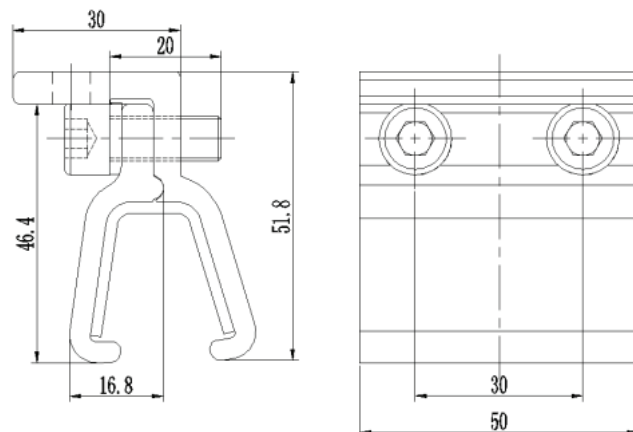


### TECHNICAL DATA

Weight (g) 118

BOM  
 HOP-H10-0050 (AL6005-T5) x 1  
 HOP-H11-0050 (AL6005-T5) x 1  
 M8\*20 Hexagon socket head cap screws (SUS304) x2  
 d8 Plain washers(SUS304) x2  
 d8 Spring washers (SUS304) x 2

## TIN INTERFCE BRACKET #4 HU-TRB-C04



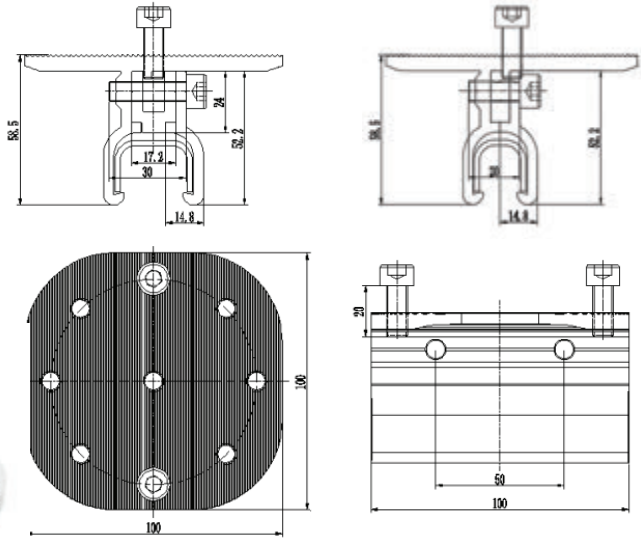
### TECHNICAL DATA

Weight (g) 124

BOM  
 HOP-H12-0050 (AL6005-T5) x 1  
 HOP-H13-0050 (AL6005-T5) x 1  
 HOP-K12-0060 (EPDM) x 1  
 M8\*20 Hexagon socket head cap screws (SUS304) x2  
 d8 Spring washers (SUS304) x2

# Tin Roof Clamp (HU-TRB-C)

**KLIPIK INTERFACE BRACKET  
HU-TRB-C08**



**TECHNICAL DATA**

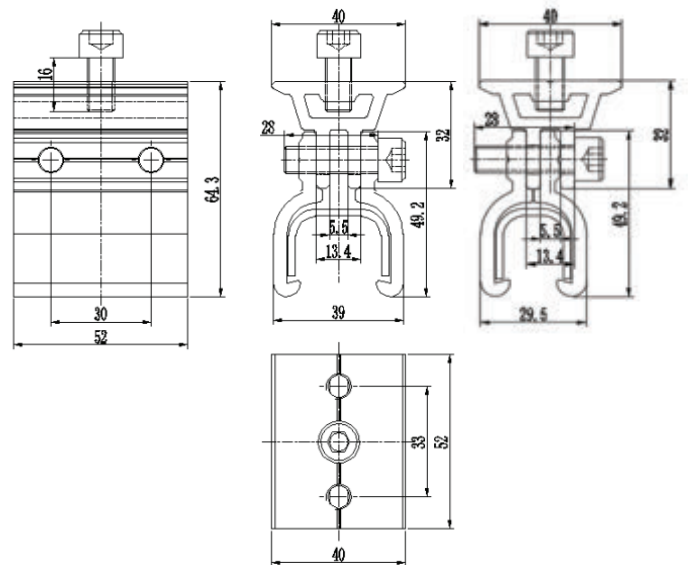
Weight (g) 414

**BOM**

- HOP-H14-0100 (AL6005-T5) x 1
- HOP-H15-0100 (AL6005-T5) x 1
- HOP-H16-0100 (AL6005-T5) x 1
- HOP-K05-0100 (EPDM) x 1
- M8\*30 Hexagon socket head cap screws (SUS304) x 2
- M8\*20 Hexagon socket head cap screws (SUS304) x 2

**!** APPLICABLE TO BOTH KLIP-LOK 406 & 700

**SMALL KLIPIK INTERFACE BRACKET  
HU-TRB-C12**



**TECHNICAL DATA**

Weight (g) 190

**BOM**

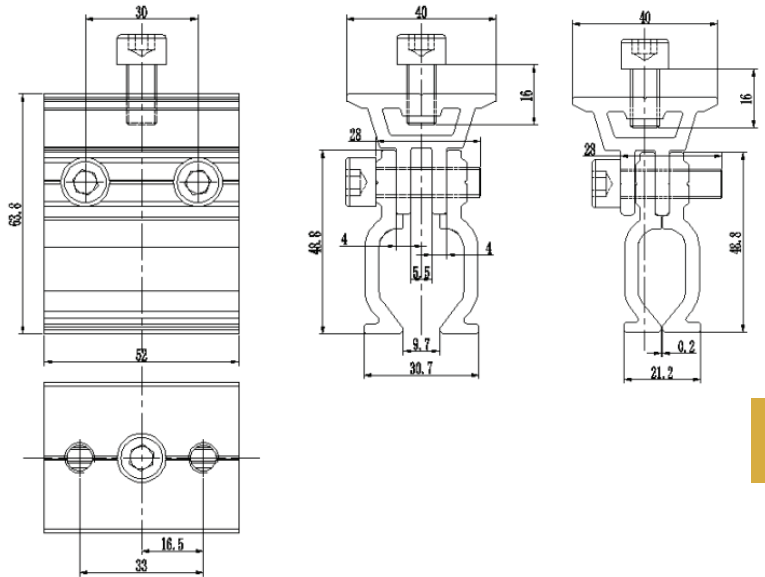
- HOP-H29-0052 (AL6005-T5) x 1
- HOP-H30-00052 (AL6005-T5) x 1
- HOP-H30-00X52 (AL6005-T5) x 1
- HOP-K12-0060 (EPDM) x 1
- M8\*28 Hexagon socket head cap screws (SUS304) x 2
- M8\*16 Hexagon socket head cap screws (SUS304) x 1

**!** APPLICABLE TO BOTH KLIP-LOK 406 & 700

**Tin Roof Clamp (HU-TRB-C)**

# Data Sheet

## T-KLK INTERFACE BRACKET HU-TRB-C14



### TECHNICAL DATA

Weight (g) 117

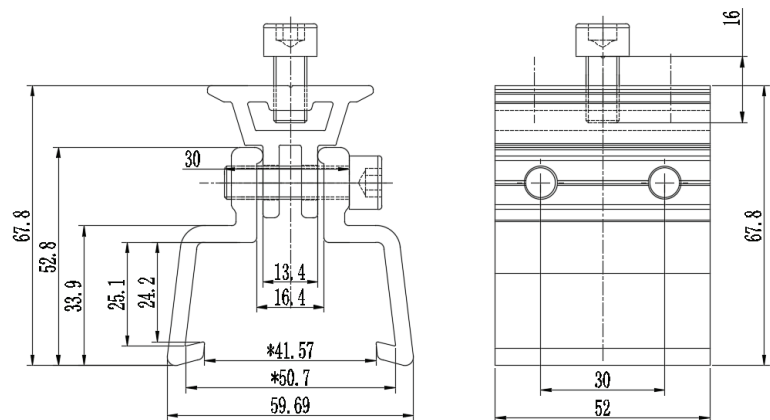
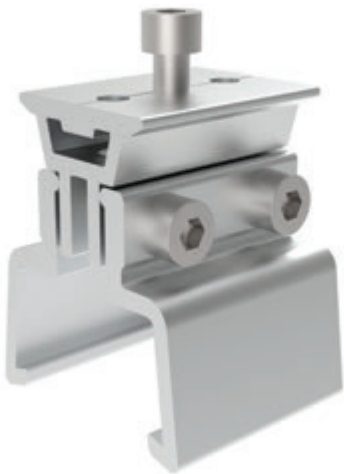
### BOM

HOP-H29-0052 (AL6005-T5) x 1  
HOP-H90-00052 (AL6005-T5) x 1  
HOP-H90-00X52 (AL6005-T5) x 1  
M8\*28 Hexagon socket head cap screws (SUS304) x2  
M8\*16 Hexagon socket head cap screws (SUS304) x1



TWO WIDTH OPTIONS

## INTERFACE BRACKET #6 HU-TRB-C15



### TECHNICAL DATA

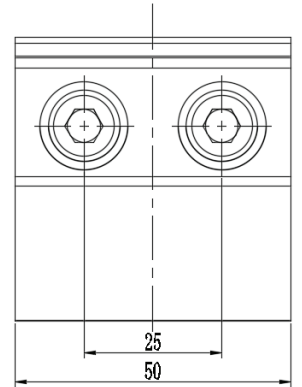
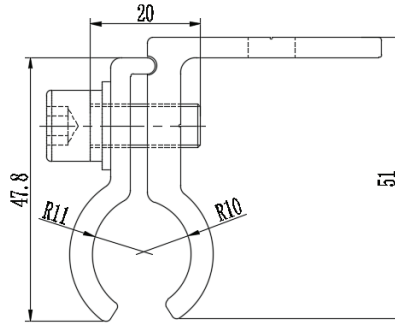
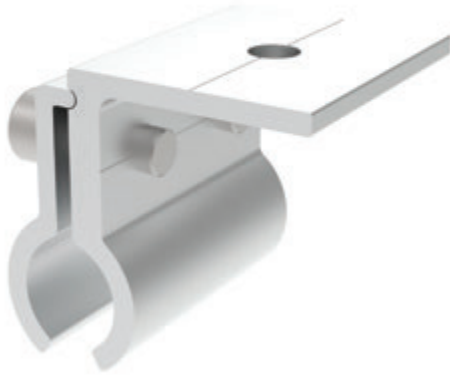
Weight (g) 199

### BOM

HOP-H29-0052 (AL6005-T5) x 1  
HOP-H40-00052 (AL6005-T5) x 1  
HOP-H40-00X52 (AL6005-T5) x 1  
M8\*30 Hexagon socket head cap screws (SUS304) x2  
M8\*16 Hexagon socket head cap screws (SUS304) x1

Tin Roof Clamp (HU-TRB-C)

**INTERFACE BRACKET #5  
HU-TRB-C13**



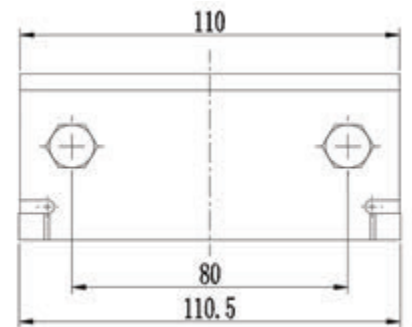
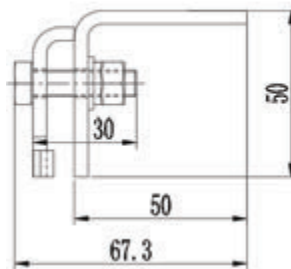
**TECHNICAL DATA**

Weight (g) 123

BOM  
HOP-H38-0050 (AL6005-T5) x 1  
HOP-H39-0050 (AL6005-T5) x 1  
M8\*20 Hexagon socket head cap screws (SUS304) x2  
d8 Plain washers(SUS304) x2  
d8 Spring washers (SUS304) x 3

**Tin Roof Clamp (HU-TRB-C)**

**STAINLESS STEEL TIN INTERFACE BRACKET #1  
HU-TRB-C05**



**TECHNICAL DATA**

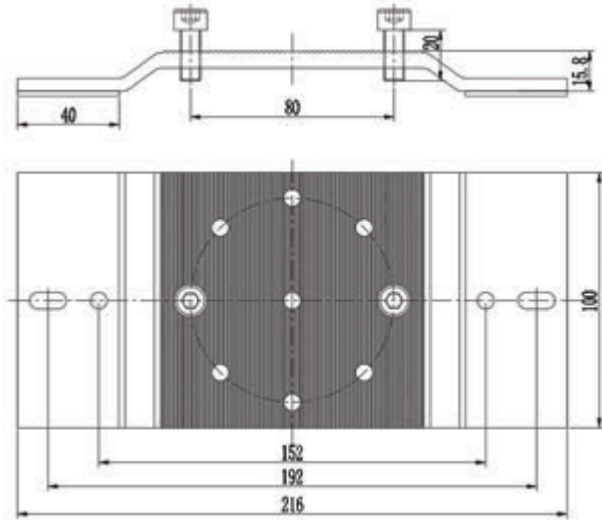
Weight (g) 557

BOM  
HOP-L01-0110 (SUS304) x 1  
HOP-L02-0110 (SUS304) x 1  
M8\*30 Hexagon head screws (SUS304) x2  
d8 Plain washers(SUS304) x2  
d8 Spring washers (SUS304) x2  
M8 Hexagon Nuts(SUS304) x2



# Data Sheet

## CK INTERFACE BRACKET HU-TRB-C06

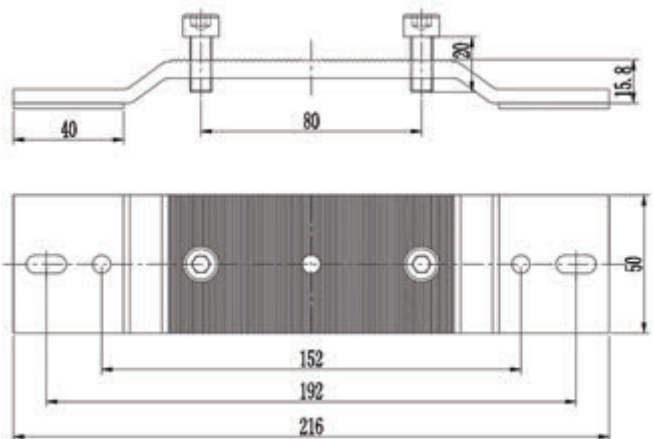


### TECHNICAL DATA

Weight (g) 396

BOM HOP-H23-0100 (AL6005-T5) x 1  
HOP-K11-0100 (EPDM) x 2  
M8\*20 Hexagon socket head cap screws (SUS304) x 2

## CK INTERFACE BRACKET LITE HU-TRB-C07



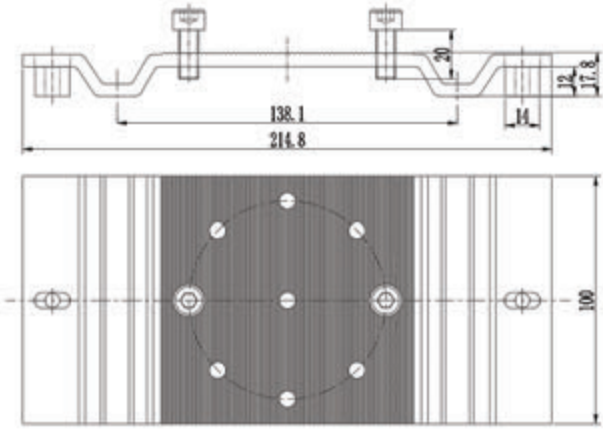
### TECHNICAL DATA

Weight (g) 213

BOM HOP-H23-0050 (AL6005-T5) x 1  
HOP-K11-0050 (EPDM) x 2  
M8\*20 Hexagon socket head cap screws (SUS304) x 2

Tin Roof Clamp (HU-TRB-C)

**TRIMDEK INTERFACE BRACKET  
HU-TRB-C09**

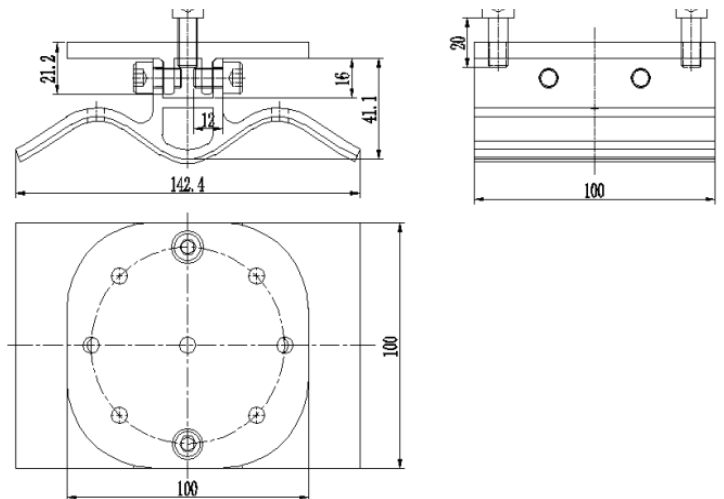


**TECHNICAL DATA**

Weight (g)	397
BOM	HOP-H20-0100 (AL6005-T5) x 1 HOP-K06-0100 (EPDM) x 2 M8*20 Hexagon socket head cap screws (SUS304) x2

**Tin Roof Clamp (HU-TRB-C)**

**LYSAGHT CUSTOM ORB INTERFACEN BRACKET #1  
HU-TRB-C10**

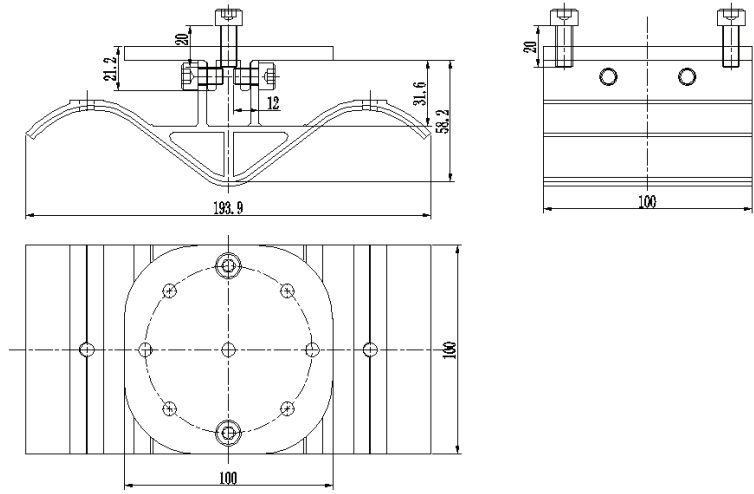


**TECHNICAL DATA**

Weight (g)	570
BOM	HOP-H17-0100 (AL6005-T5) x 1 HOP-H18-0100 (AL6005-T5) x 1 HOP-K09-0160 (EPDM) x 1 M8*20 Hexagon socket head cap screws (SUS304) x2 M8*12 Hexagon socket head cap screws (SUS304) x4

# Data Sheet

## LYSAGHT CUSTOM ORB INTERFACEN BRACKET #2 HU-TRB-C11



### TECHNICAL DATA

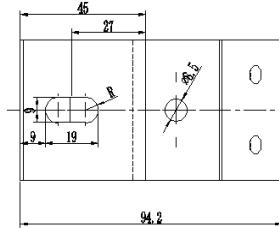
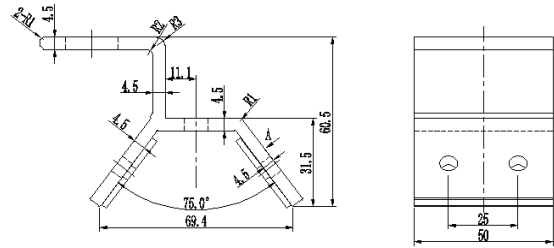
Weight (g) 638

BOM

HOP-H17-0100 (AL6005-T5) x 1  
HOP-H19-0100 (AL6005-T5) x 1  
HOP-K10-0210 (EPDM) x 1  
M8\*20 Hexagon socket head cap screws (SUS304) x2  
M8\*12 Hexagon socket head cap screws (SUS304) x4

# Tin Roof Clamp (HU-TRB-C)

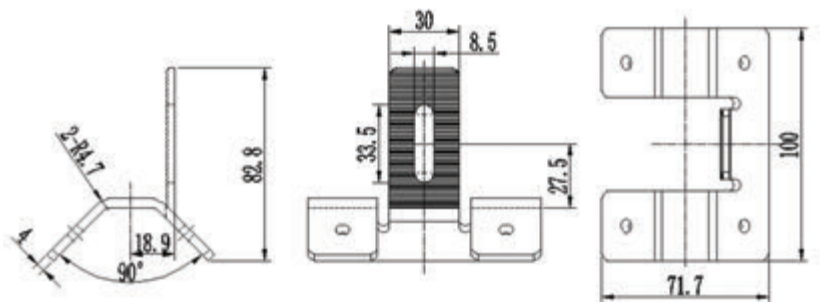
**TIN ROOF INTERFACE BRACKET #1**  
**HU-TRB-B01**



**TECHNICAL DATA**

Weight (g)	176
BOM	HOP-H26-0050 (AL6005-T5) x 1 HOP-K27-0050 (EPDM) x 2

**TIN ROOF INTERFACE BRACKET #2**  
**HU-TRB-B02**



**TECHNICAL DATA**

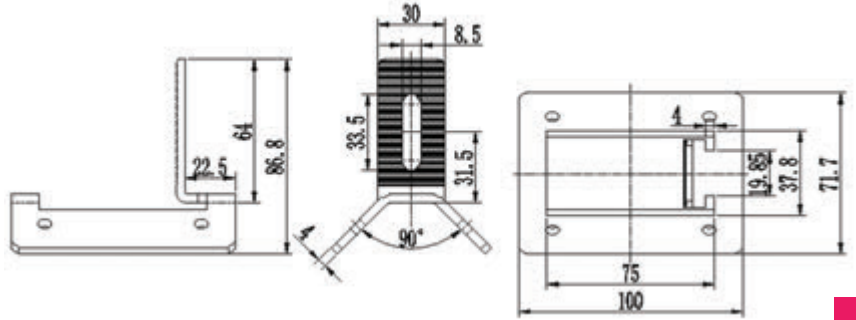
Weight (g)	291
BOM	HOP-D011-000 (SUS304) x 1 HOP-K13-0040 (EPDM) x 4

**TIN ROOF BRACKET (HU-TRB-B)**



# Data Sheet

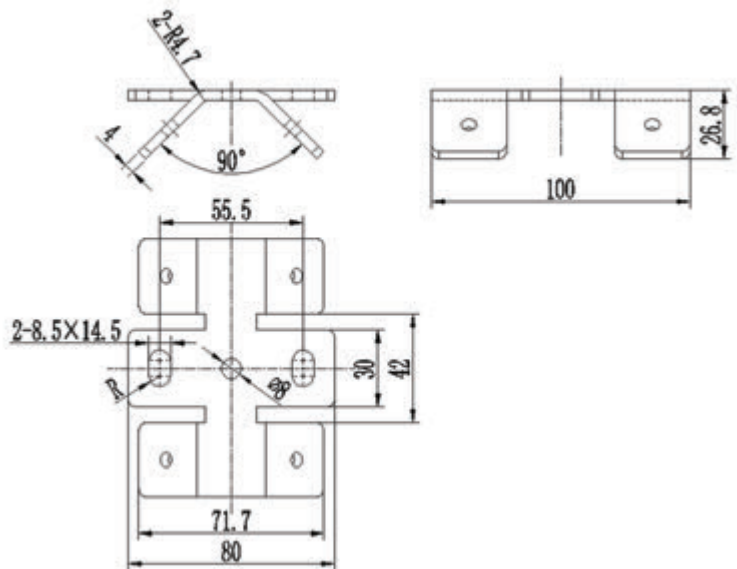
## TIN ROOF INTERFACE BRACKET #3 HU-TRB-B03



### TECHNICAL DATA

Weight (g)	291
BOM	HOP-D012-000 (SUS304) x 1 HOP-K13-0040 (EPDM) x 4

## TIN ROOF INTERFACE BRACKET #4 HU-TRB-B04

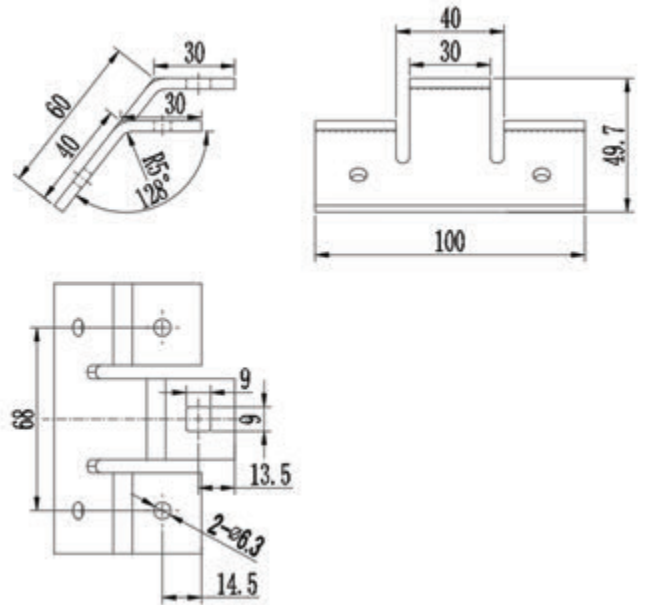


### TECHNICAL DATA

Weight (g)	291
BOM	HOP-D013-000 (SUS304) x 1 HOP-K13-0040 (EPDM) x 4

TIN ROOF BRACKET (HU-TRB-B)

**TIN ROOF INTERFACE BRACKET #5  
HU-TRB-B05**



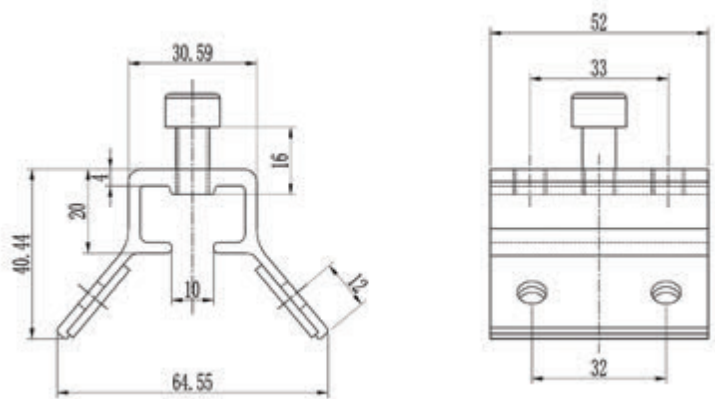
**TECHNICAL DATA**

Weight (g) 291

BOM HOP-D014-000 (SUS304) x 1  
HOP-K14-0060 (EPDM) x 2

**TIN ROOF BRACKET (HU-TRB-B)**

**TIN ROOF INTERFACE BRACKET #2\*  
HU-TRB-B02\***



**TECHNICAL DATA**

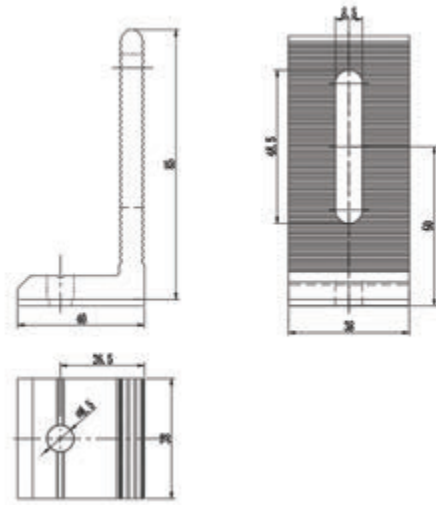
Weight (g) 112

BOM HOP-H42-0052(AL6005-T5)×1  
HOP-K36-0052(EPDM)×1  
M8x16 Hexagon socket head screws (A2-70)×1  
st6.3\*25 Hexagon tapping and self-drilling screws(SUS410) ×4



**TIN ROOF BRACKET (HU-TRB-B)**

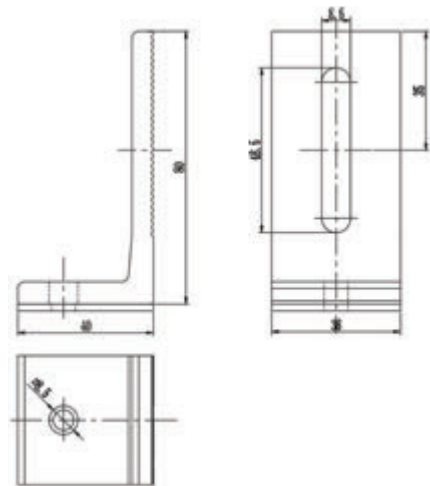
**SELECT L FEET  
HU-TRB-F01**



**TECHNICAL DATA**

Weight (g)	88
BOM	HOP-H01-0038 (AL6005-T5) x 1 HOP-K03-0040 (EPDM) x 1

**L FEET 2#  
HU-TRB-F04**



**TECHNICAL DATA**

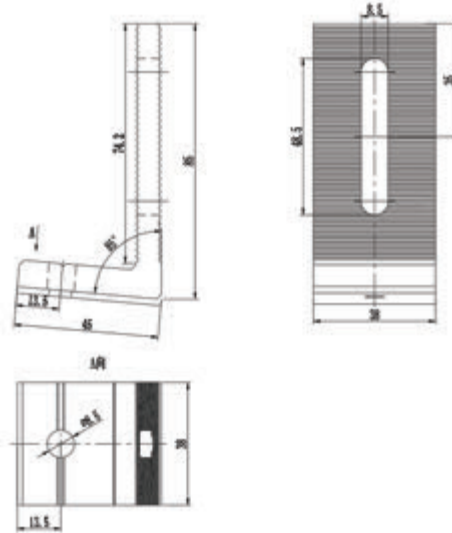
Weight (g)	74
BOM	HOP-H24-0038 (AL6005-T5) x 1 HOP-K03-0040 (EPDM) x 1

**Tin Roof Mount (HU-TRB-F)**



# Data Sheet

## FRONT L FEET 5° HU-TRB-F10

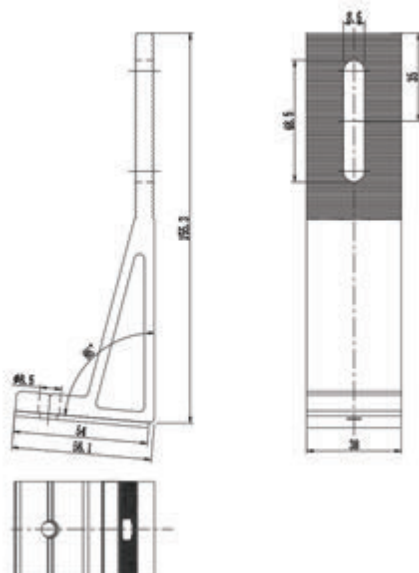


### TECHNICAL DATA

Weight (g) 95

BOM HOP-H03-0038 (AL6005-T5) x 1  
HOP-K18-0045 (EPDM) x 1

## REAR L FEET 5° HU-TRB-F11



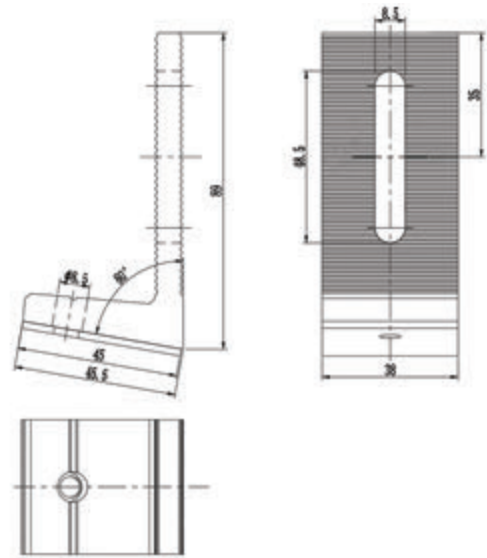
### TECHNICAL DATA

Weight (g) 158

BOM HOP-H04-0038 (AL6005-T5) x 1  
HOP-K17-0054 (EPDM) x 1

# Tin Roof Mount (HU-TRB-F)

**FRONT L FEET 10°  
HU-TRB-F12**

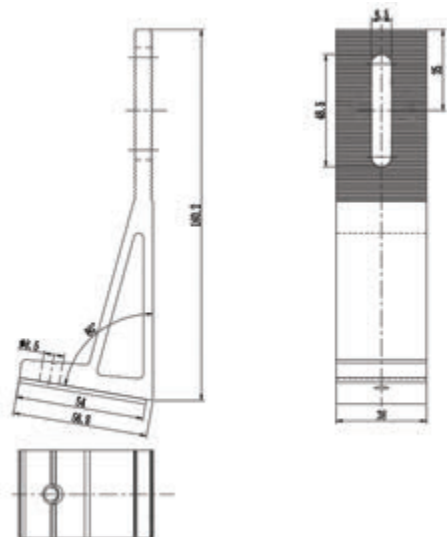


**TECHNICAL DATA**

Weight (g)	104
BOM	HOP-H27-0038 (AL6005-T5) x 1 HOP-K18-0045 (EPDM) x 1

**Tin Roof Mount (HU-TRB-F)**

**REAR L FEET 10°  
HU-TRB-F13**

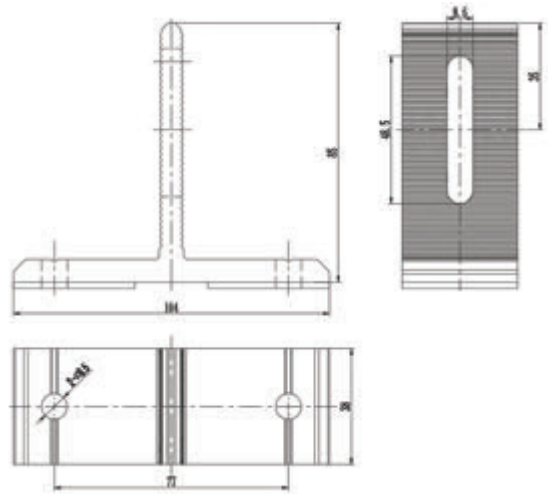


**TECHNICAL DATA**

Weight (g)	172
BOM	HOP-H28-0038 (AL6005-T5) x 1 HOP-K17-0054 (EPDM) x 1

# Data Sheet

## SELECT T FEET HU-TRB-F03

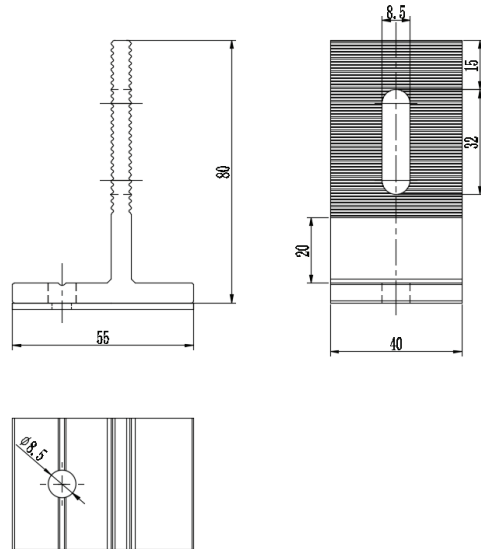


### TECHNICAL DATA

Weight (g) 140

BOM HOP-H02-0038 (AL6005-T5) x 1  
HOP-K03-0040 (EPDM) x 2

## SELECT LIGHT T FEET HU-TRB-F17



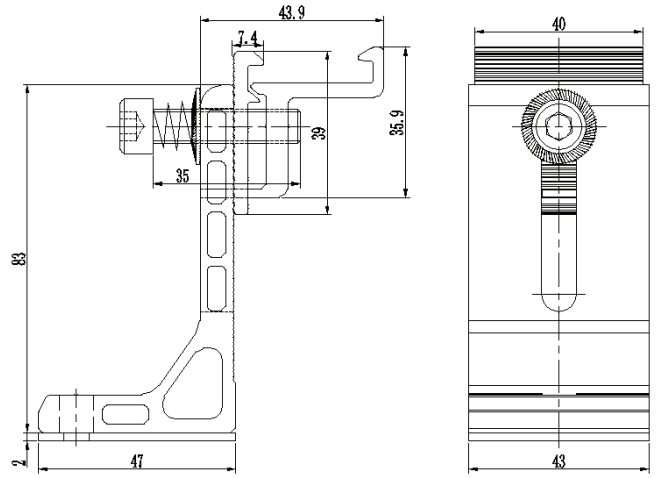
### TECHNICAL DATA

Weight (g) 109

BOM HOP-H43-0040 (AL6005-T5) x 1  
HOP-K36-0055 (EPDM) x 1  
HOP-G91-0020 (AL6005-T5) x 1  
M8\*28 Hexagon socket head cap screws (SUS304) x1  
d8 Spring washers (SUS304) x 1  
d8 Disc washers (SUS304) x 1

**Tin Roof Mount (HU-TRB-F)**

**ULT L FEET  
HU-TRB-F08**

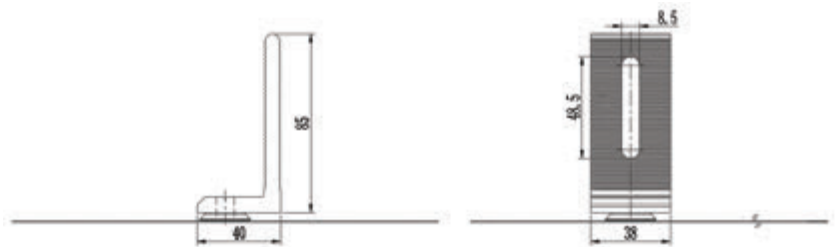


**TECHNICAL DATA**

Weight (g) 162

BOM  
 HOP-H05-0043 (AL6005-T5) x 1  
 HOP-H21-0040 (AL6005-T5) x 1  
 HOP-H22-0040 (AL6005-T5) x 1  
 HOP-L92-0016 (SUS301) x 1  
 HOP-K07-0047 (EPDM) x 1  
 M8\*35 Hexagon socket head cap screws (SUS304) x1  
 M8\*13 Ribbed Lock washers (SUS304) x 1

**SELECT L FEET (WATERPROOF BOARD)  
HU-TRB-F06**



**TECHNICAL DATA**

Weight (g) 312

BOM  
 HOP-H01-0038 (AL6005-T5) x 1  
 HOP-L24-0305 (Aluminized zinc plate) x 1  
 HOP-K19-0024 (EPDM) x 1

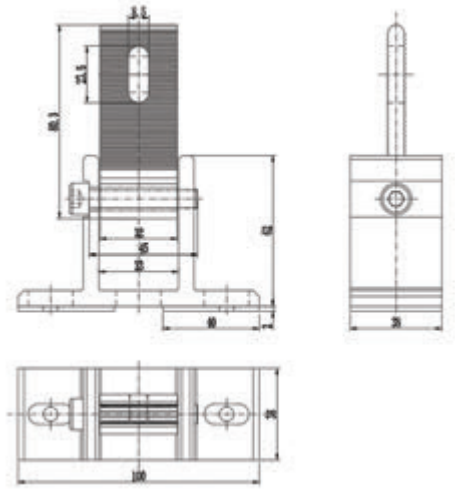
**Tin Roof Mount (HU-TRB-F)**





**Tin Roof Mount (HU-TRB-F)**

**ADJUSTABLE FRONT LEG  
HU-TRB-AFL**



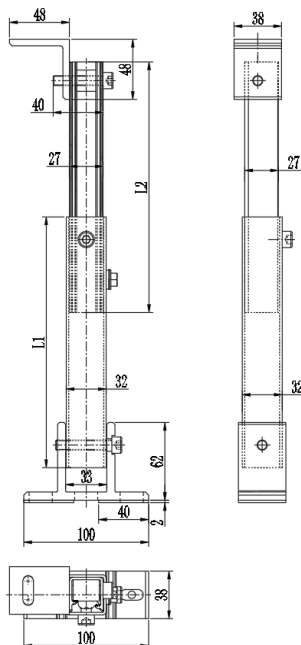
**TECHNICAL DATA**

Weight (g) 252

BOM HOP-H81-0038 (AL6005-T5) x 1  
HOP-J62-0030 (AL6005-T5) x 1  
HOP-K03-0040 (EPDM) x 2  
M8\*45 Hexagon socket head cap screws (SUS304) x1

**Tin Roof Tilt (HU-TRB-A)**

**ADJUSTABLE REAR LEG  
HU-TRB-ARL-A00**



No	P/N #	Feature Size			Weight
		$\alpha$	L1	L2	
1	HU-TRB-ARL-A15-NS1	10-15°	200	200	0.549
2	HU-TRB-ARL-A30-NS1	15-30°	360	360	0.721
3	HU-TRB-ARL-A60-NS1	30-60°	660	660	1.045

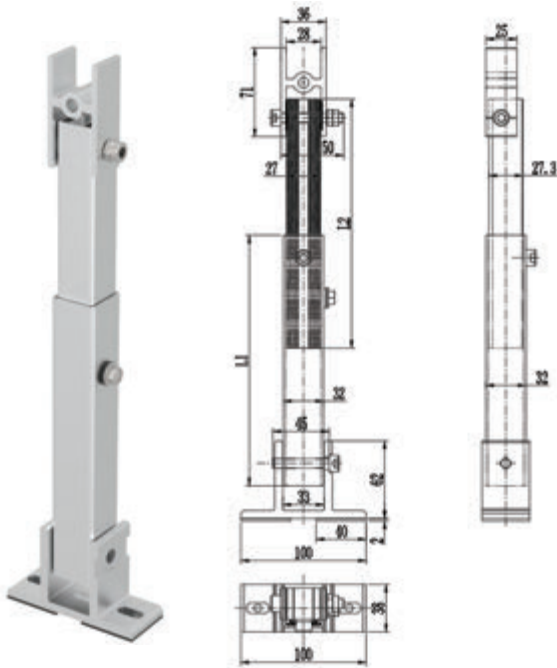
**TECHNICAL DATA**

Weight (g) See above table

BOM HOP-H81-0038 (AL6005-T5) x 1  
HOP-J03-0038 (AL6005-T5) x 1  
HOP-J05-0000 (AL6005-T5) x 1  
HOP-J07-0000 (AL6005-T5) x 1  
HOP-J68-0021 (AL6005-T5) x 1  
HOP-G94-0020 (AL6005-T5) x 1  
HOP-K03-0040 (EPDM) x 2  
ST6.3\*25 Self-tapping screw(SUS 410) x 1  
M8\*20 Hexagon socket head cap screws (SUS304) x1  
M8\*40 Hexagon socket head cap screws (SUS304) x1  
M8\*45 Hexagon socket head cap screws (SUS304) x1

# Data Sheet

## ADJUSTABLE REAR LEG 2# HU-TRB-ARL-F00



No	P/N #	Feature Size			Weight
		$\alpha$	L1	L2	
1	HU-TRB-ARL-F15-NS1	10-15°	200	200	0.621
2	HU-TRB-ARL-F30-NS1	15-30°	360	360	0.834
3	HU-TRB-ARL-F60-NS1	30-60°	660	660	1.235

### TECHNICAL DATA

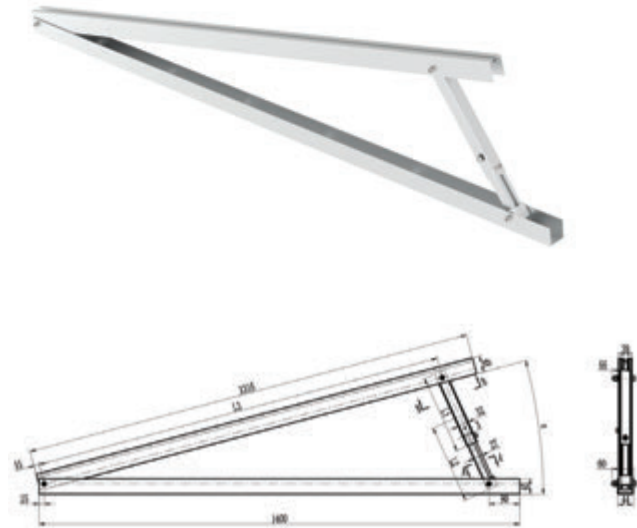
Weight (g) See above table

### BOM

HOP-H81-0038 (AL6005-T5) x 1  
HOP-J06-0000 (AL6005-T5) x 1  
HOP-J07-0000 (AL6005-T5) x 1  
HOP-J63-0025 (AL6005-T5) x 1  
HOP-K03-0040 (EPDM) x 2  
ST6.3\*25 Self-tapping screw(SUS 410) x 1  
M8\*20 Hexagon socket head cap screws (SUS304) x1  
M8\*45 Hexagon socket head cap screws (SUS304) x1  
M8\*50 Hexagon socket head cap screws (SUS304) x1  
M8 1 type non metal insert six angle locking nut x 1

**Tin Roof Tilt (HU-TRB-A)**

**ADJUSTABLE A-FRAME KIT  
HU-TRB-AFK-AA00**



No	P/N #	Feature Size			Weight	Suitable for	
		α	L1	L2			L3
1	HU-TRB-AFK-AA15	10-15°	230	230	1200	2.537	10-15°
2	HU-TRB-AFK-AA30	15-30°	340	340	1200	2.656	15-30°
3	HU-TRB-AFK-AA60	30-60°	650	350	1200	2.991	30-60°

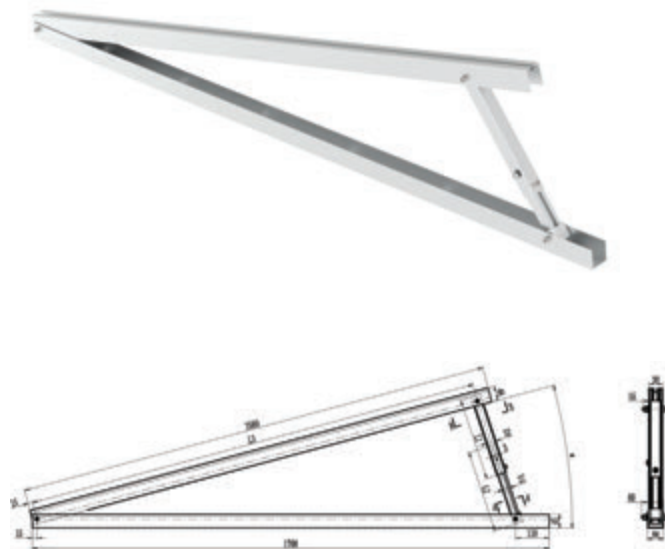
**TECHNICAL DATA**

Weight (g) See above table

BOM

- HOP-E10-1400 (AL6005-T5) x 1
- HOP-E11-1315 (AL6005-T5) x 1
- HOP-J05-0000 (AL6005-T5) x 1
- HOP-J34-0030 (AL6005-T5) x 1
- HOP-J07-0000 (AL6005-T5) x 1
- HOP-G94-0020 (AL6005-T5) x 1
- HOP-J70-0033 (AL6005-T5) x 1
- d8 Plain washers(SUS304) x3
- d8 Spring washers (SUS304) x3
- M8 Hexagon Nuts(SUS304) x3
- ST6.3\*25 Self-tapping screw(SUS 410) x 1
- M8\*20 Hexagon socket head cap screws (SUS304) x1
- M8\*55 Hexagon socket head cap screws (SUS304) x1
- M8\*60 Hexagon socket head cap screws (SUS304) x2

**ADJUSTABLE A-FRAME KIT  
HU-TRB-AFK-AB00**



No	P/N #	Feature Size			Weight	Suitable for	
		α	L1	L2			L2
1	HU-TRB-AFK-AB15	10-15°	270	270	1500	3.005	10-15°
2	HU-TRB-AFK-AB30	15-30°	420	420	1415	3.167	15-30°
3	HU-TRB-AFK-AB60	30-60°	790	790	1415	3.566	30-60°

**TECHNICAL DATA**

Weight (g) See above table

BOM

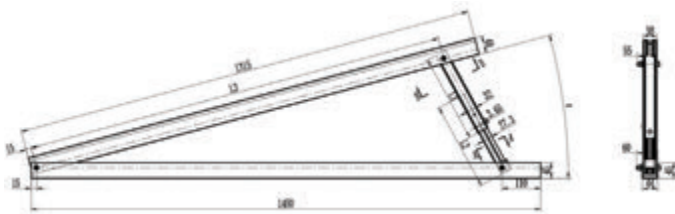
- HOP-E10-1700 (AL6005-T5) x 1
- HOP-E11-1560 (AL6005-T5) x 1
- HOP-J05-0000 (AL6005-T5) x 1
- HOP-J34-0030 (AL6005-T5) x 1
- HOP-J07-0000 (AL6005-T5) x 1
- HOP-G94-0020 (AL6005-T5) x 1
- HOP-J70-0033 (AL6005-T5) x 1
- d8 Plain washers(SUS304) x3
- d8 Spring washers (SUS304) x3
- M8 Hexagon Nuts(SUS304) x3
- ST6.3\*25 Self-tapping screw(SUS 410) x 1
- M8\*20 Hexagon socket head cap screws (SUS304) x1
- M8\*55 Hexagon socket head cap screws (SUS304) x1
- M8\*60 Hexagon socket head cap screws (SUS304) x2

**A-Frame Kit (HU-TRB-AFK)**



# Data Sheet

## ADJUSTABLE A-FRAME KIT HU-TRB-AFK-AC00



**!** ADJUSTMENT HOLES LOCATED ON THE BOTTOM BEAM.

No	P/N #	Feature Size				Weight	Suitable for
		$\alpha$	L1	L2	L3		
1	HU-TRB-AFK-AC15	10-15°	250	250	1200	2.668	10-15°
2	HU-TRB-AFK-AC30	15-30°	355	355	1200	2.808	15-30°
3	HU-TRB-AFK-AC60	30-60°	660	660	1200	3.215	30-60°

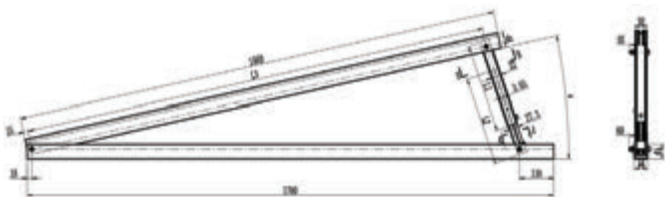
### TECHNICAL DATA

Weight (g) See above table

BOM

- HOP-E10-1450 (AL6005-T5) x 1
- HOP-E11-1315 (AL6005-T5) x 1
- HOP-J06-0000 (AL6005-T5) x 1
- HOP-J34-0030 (AL6005-T5) x 1
- HOP-J07-0000 (AL6005-T5) x 1
- HOP-J70-0033 (AL6005-T5) x 1
- d8 Plain washers(SUS304) x3
- d8 Spring washers (SUS304) x3
- M8 Hexagon Nuts(SUS304) x3
- M8 Hexagon nut with flange x 1
- ST6.3\*25 Self-tapping screw(SUS 410) x 1
- M8\*20 Hexagon socket head cap screws (SUS304) x1
- M8\*55 Hexagon socket head cap screws (SUS304) x1
- M8\*60 Hexagon socket head cap screws (SUS304) x2

## ADJUSTABLE A-FRAME KIT HU-TRB-AFK-AD00



No	P/N #	Feature Size				Weight	Suitable for
		$\alpha$	L1	L2	L3		
1	HU-TRB-AFK-AD15	10-15°	270	270	1500	3.632	10-15°
2	HU-TRB-AFK-AD30	15-30°	430	430	1415	3.846	15-30°
3	HU-TRB-AFK-AD60	30-60°	830	830	1415	4.379	30-60°

### TECHNICAL DATA

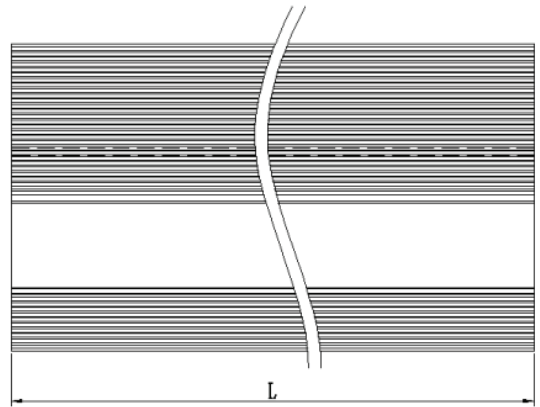
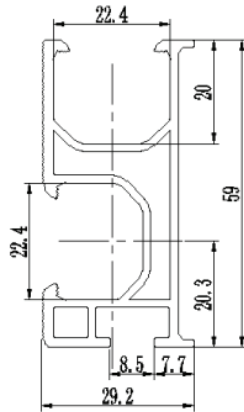
Weight (g) See above table

BOM

- HOP-E10-1700 (AL6005-T5) x 1
- HOP-E11-1560 (AL6005-T5) x 1
- HOP-J06-0000 (AL6005-T5) x 1
- HOP-J34-0030 (AL6005-T5) x 1
- HOP-J07-0000 (AL6005-T5) x 1
- HOP-J70-0033 (AL6005-T5) x 1
- M8 Hexagon nut with flange x 1
- d8 Plain washers(SUS304) x3
- d8 Spring washers (SUS304) x3
- M8 Hexagon Nuts(SUS304) x3
- ST6.3\*25 Self-tapping screw(SUS 410) x 1
- M8\*20 Hexagon socket head cap screws (SUS304) x1
- M8\*55 Hexagon socket head cap screws (SUS304) x1
- M8\*60 Hexagon socket head cap screws (SUS304) x2

**A-Frame Kit (HU-TRB-AFK)**

**SSA RAIL**  
**HU-RA-SSA-0000**

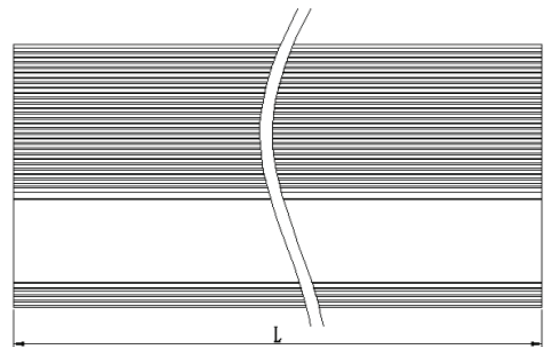
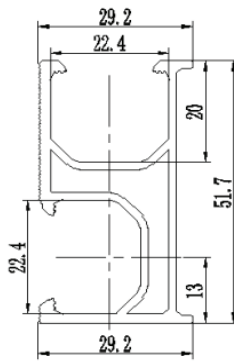


**TECHNICAL DATA**

Weight (kg/m)	0.988
BOM	HOP-F17-0000 (AL6005-T5) x 1

**Rail (HU-RA-)**

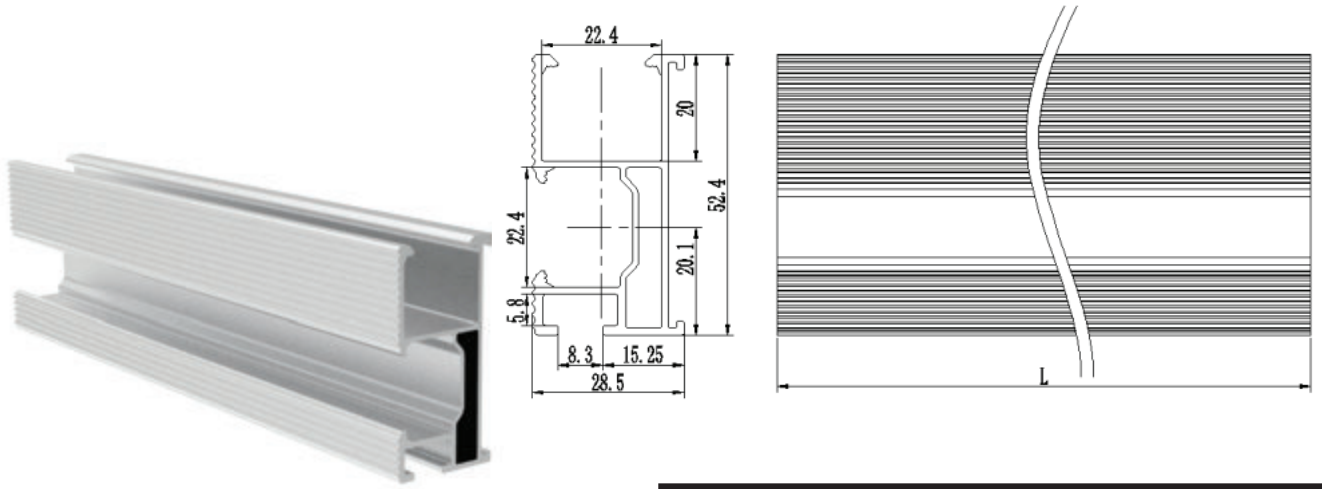
**SSB RAIL**  
**HU-RA-SSB-0000**



No	P/N #	Description	Weight (kg/m)	BOM
1	HU-RA-SSB-0000	Standard Version	0.739	HOP-F31-0000 (AL6005-T5) x 1
2	HU-RA-SSB(HD)-0000	Hard Version	0.845	HOP-F18-0000 (AL6005-T5) x 1
3	HU-RA-SSB(Lite)-0000	Lite Version	0.700	HOP-F19-0000 (AL6005-T5) x 1

# Data Sheet

## SSC RAIL HU-RA-SSC-0000

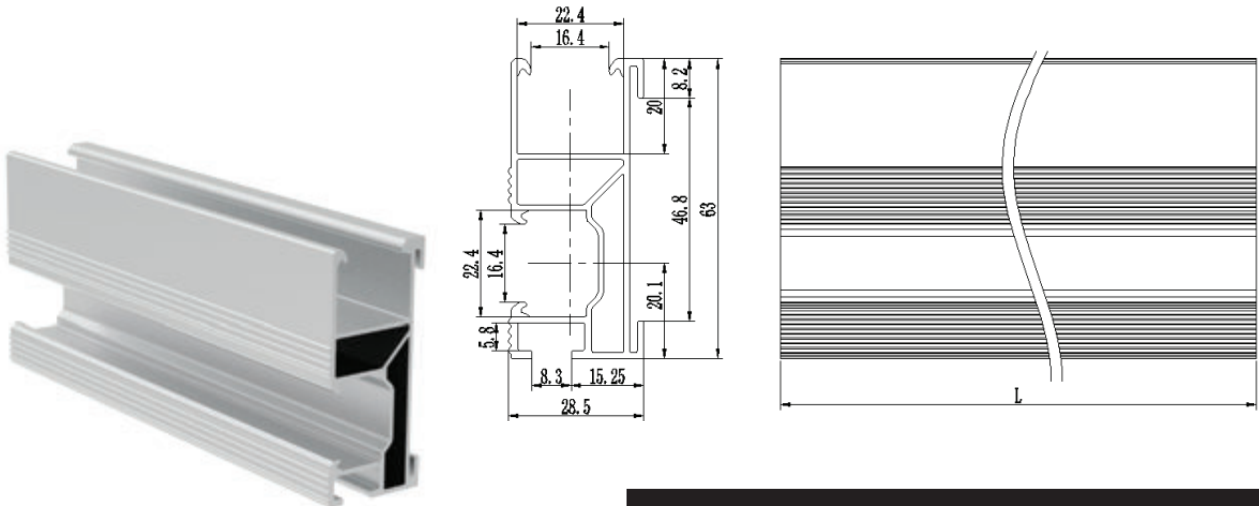


### TECHNICAL DATA

Weight (kg/m) 0.687

BOM HOP-F30-0000 (AL6005-T5) x 1

## SSE RAIL HU-RA-SSE-0000



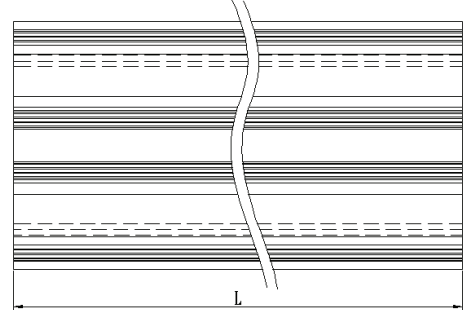
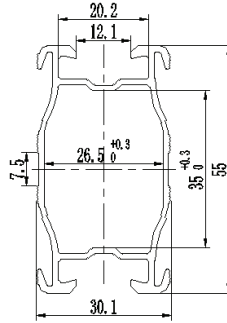
### TECHNICAL DATA

Weight (kg/m) 0.886

BOM HOP-F41-0000 (AL6005-T5) x 1

**Rail (HU-RA-)**

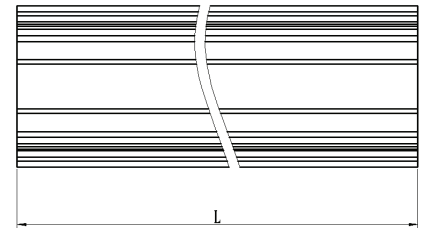
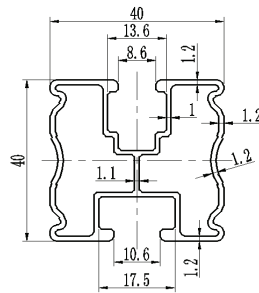
**ULT STANDARD RAIL**  
**HU-RA-ULT-0000**



**TECHNICAL DATA**

Weight (g/m)	0.718
BOM	HOP-F26-0000 (AL6005-T5) x 1

**EU RAIL**  
**HU-RA-EU-0000**



**TECHNICAL DATA**

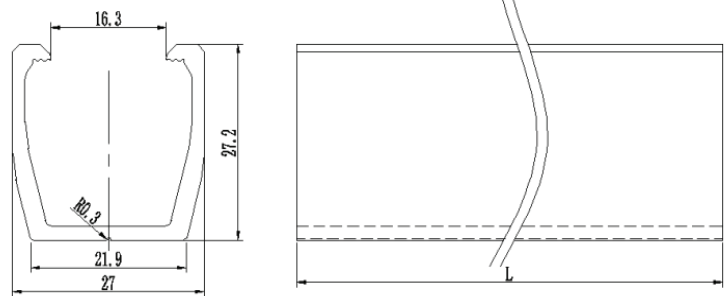
Weight (kg/m)	0.811
BOM	HOP-F48-0000 (AL6005-T5) x 1

**Rail (HU-RA-)**



# Data Sheet

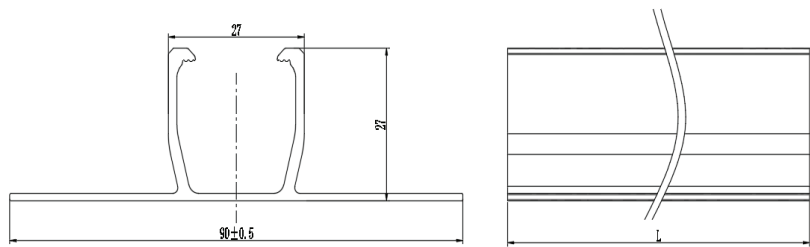
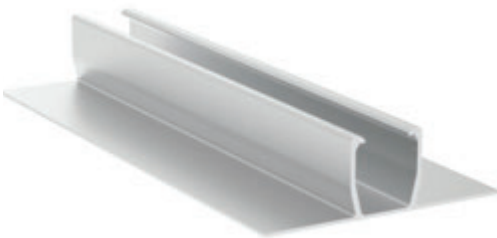
## SSU RAIL HU-RA-SSU-0000



### TECHNICAL DATA

Weight (kg/m)	0.458
BOM	HOP-F22-0000 (AL6005-T5) x 1

## SSP RAIL HU-RA-SSP-0000

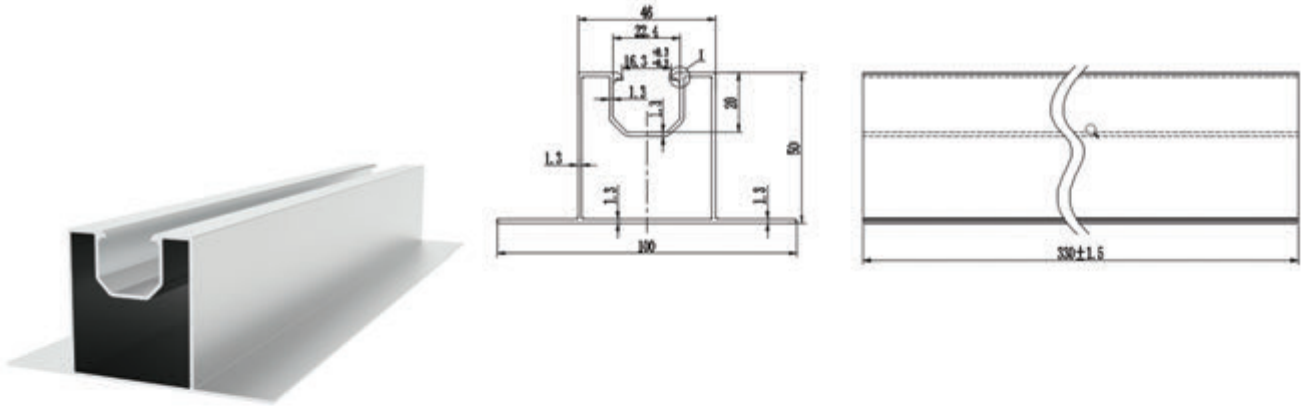


### TECHNICAL DATA

Weight (kg/m)	0.630
BOM	HOP-F46-0000 (AL6005-T5) x 1

**Rail (HU-RA-)**

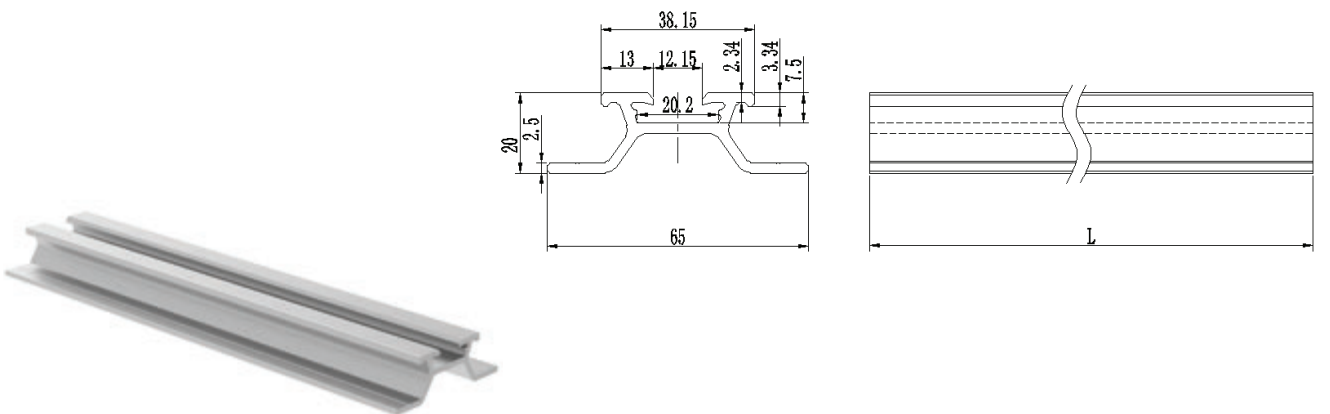
**MSR RAIL**  
**HU-RA-MSR-0000**



**TECHNICAL DATA**

Weight (kg/m)	0.999
BOM	HOP-F25-0000 (AL6005-T5) x 1

**ULS RAIL**  
**HU-RA-ULS-0000**



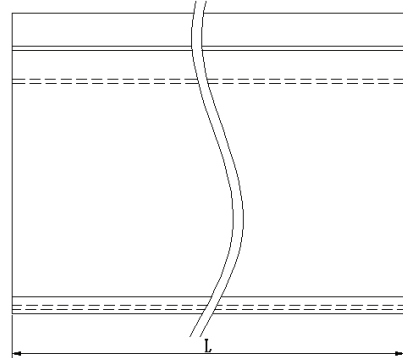
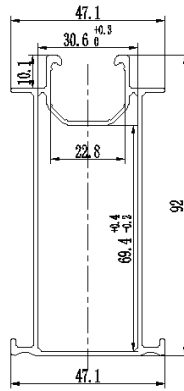
**TECHNICAL DATA**

Weight (kg/m)	0.784
BOM	HOP-T56-0000 (AL6005-T5) x 1

**Rail (HU-RA-)**

# Data Sheet

## GXR RAIL HU-RA-GXR-0000

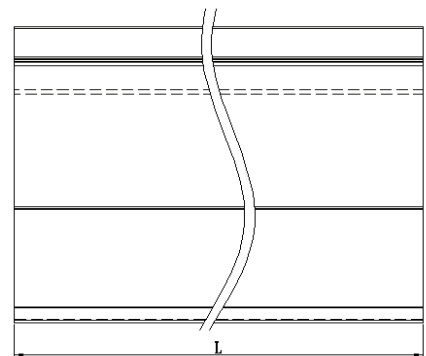
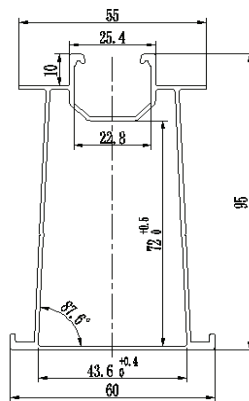


### TECHNICAL DATA

Weight (kg/m) 1.04

BOM HOP-F15-0000 (AL6005-T5) x 1

## GDR RAIL HU-RA-GDR-0000



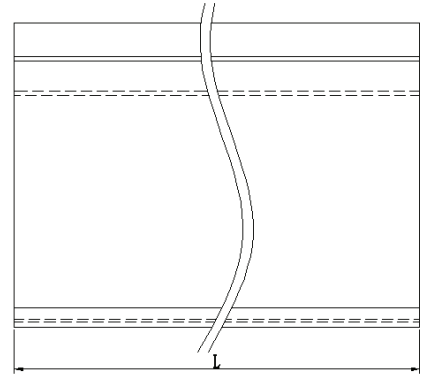
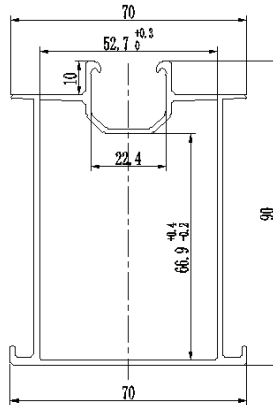
### TECHNICAL DATA

Weight (kg/m) 1.147

BOM HOP-F42-0000 (AL6005-T5) x 1

Rail (HU-RA-)

**GHR RAIL**  
**HU-RA-GHR-0000**

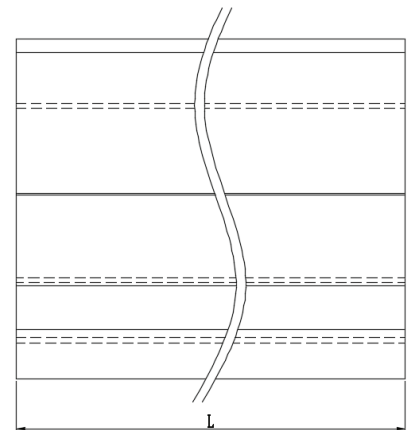
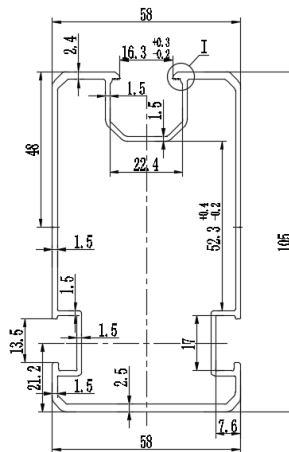


**TECHNICAL DATA**

Weight (kg/m) 1.488

BOM HOP-F13-0000 (AL6005-T5) x 1

**GCR RAIL**  
**HU-RA-GCR-0000**



**TECHNICAL DATA**

Weight (kg/m) 1.824

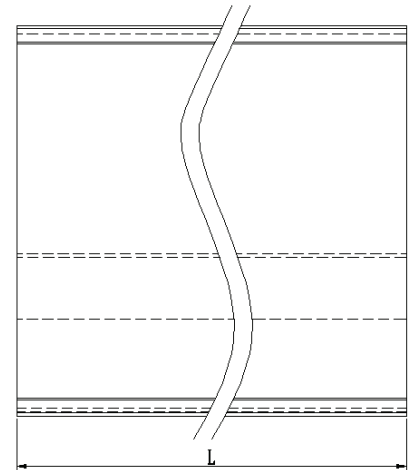
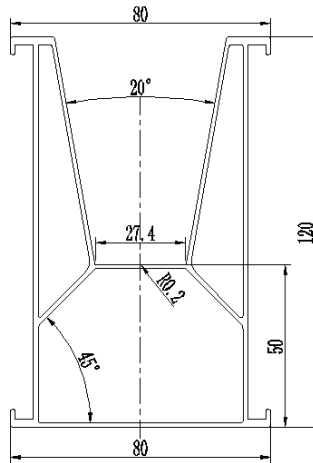
BOM HOP-F07-0000 (AL6005-T5) x 1

**Rail (HU-RA-)**





**GVR RAIL  
HU-RA-GVR-0000**



**TECHNICAL DATA**

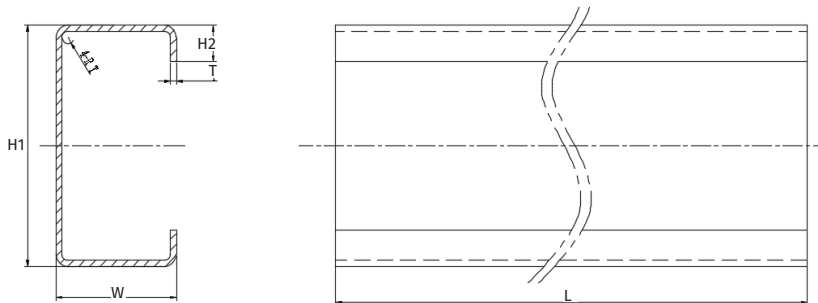
Weight (kg/m) 2.295

BOM HOP-F32-0000 (AL6005-T5) x 1

**Rail (HU-RA-)**

# Data Sheet

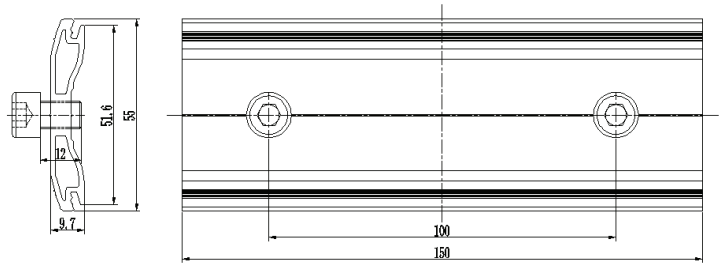
## C TYPE STEEL RAIL HOP-M16-0000



No	Specification	Feature Size (mm)				Strength	Material
		H1	W	H2	T		
1	120*60*20-T	120	60	20±1	1.5, 1.8, 2.0, 2.3, 2.5	235-600MPa	ZAM
2	100*50*15-T	100	50	15±1	1.5, 1.8, 2.0, 2.3, 2.5	235-600MPa	ZAM
3	80*40*20-T	80	40	20±1	1.5, 1.8, 2.0, 2.3, 2.5	235-600MPa	ZAM
4	80*40*15-T	80	40	15±1	1.5, 1.8, 2.0, 2.3, 2.5	235-600MPa	ZAM
5	60*40*15-T	60	40	15±1	1.5, 1.8, 2.0, 2.3, 2.5	235-600MPa	ZAM
5	60*30*15-T	60	30	15±1	1.5, 1.8, 2.0, 2.3, 2.5	235-600MPa	ZAM

**Rail (HU-RA-)**

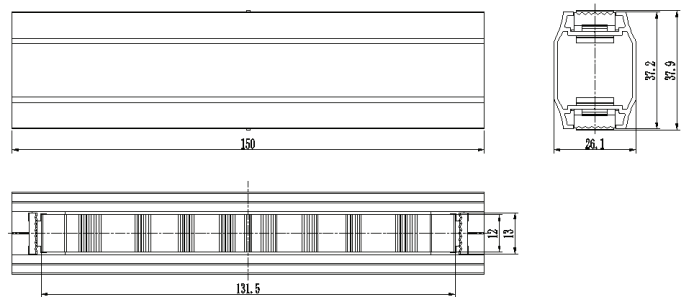
**ULT OUTER JOINER  
HU-SK-ULO**



**TECHNICAL DATA**

Weight (g)	114
BOM	HOP-F29-0150 (AL6005-T5) x 1 M8*12 Hexagon socket head cap screws (SUS304) x 2

**ULT Inner Rail Joiner  
HU-SK-ULI**



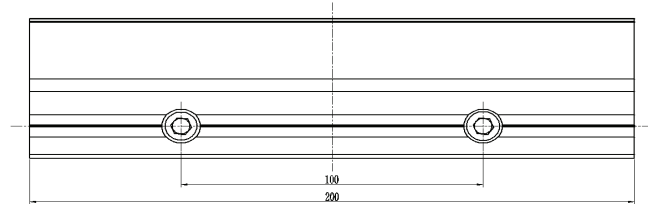
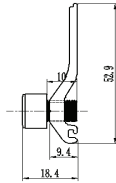
**TECHNICAL DATA**

Weight (g)	78
BOM	HOP-F27-0150 (AL6005-T5) x 1 HOP-F28-0012 (AL6005-T5) x 2 HOP-L22-0015 (SUS304) x 4

**Rail Joiner (HU-SK-)**

# Data Sheet

## SSC RAIL OUTER JOINER #1 HU-SK-SSC-01

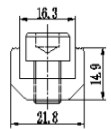
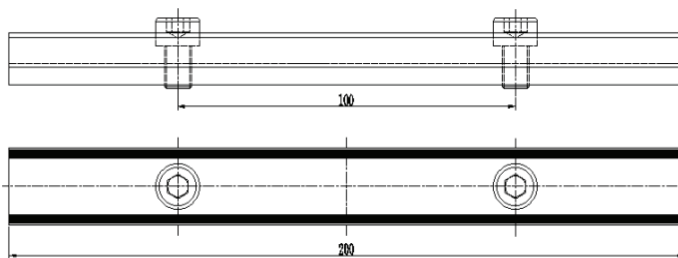


### TECHNICAL DATA

Weight (g) 108

BOM HOP-F36-0200 (AL6005-T5) x 1  
M8\*10 Hexagon socket head cap screws (SUS304) x2

## SELECT RAIL JOINER HU-SK-SSB



### TECHNICAL DATA

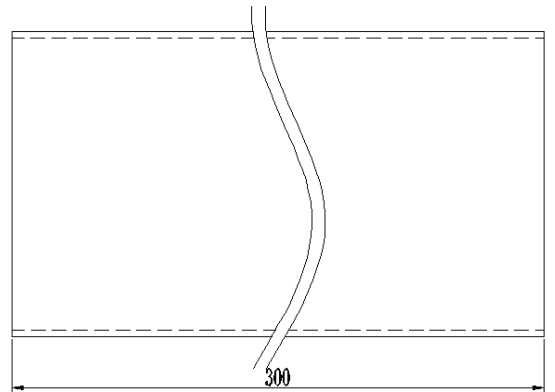
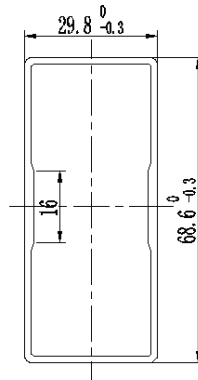
Weight (g) 108

BOM HOP-F23-0200 (AL6005-T5) x 1  
M8\*12 Hexagon socket head cap screws (SUS304) x2

**Rail Joiner (HU-SK-)**



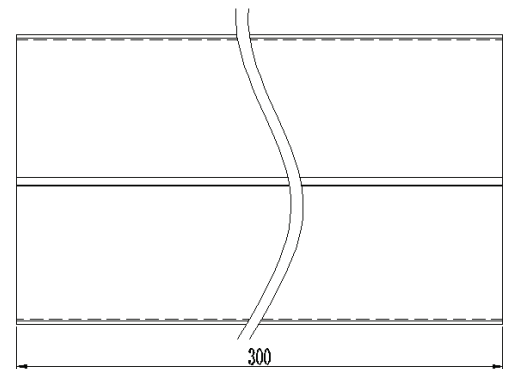
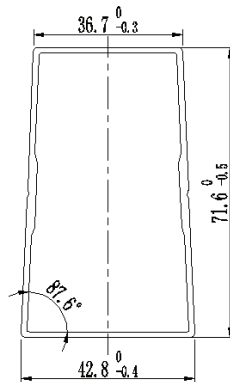
**GXR RAIL JOINER**  
**HU-SK-GXR-0300**



**TECHNICAL DATA**

Weight (g)	234
BOM	HOP-F16-0300 (AL6005-T5) x 1 ST6.3*25 Self-tapping screw(SUS 410) x8

**GDR RAIL JOINER**  
**HU-SK-GDR-0300**



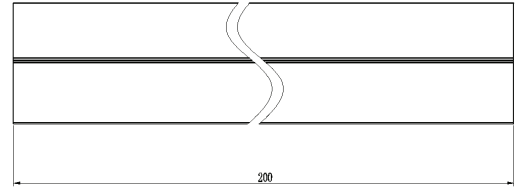
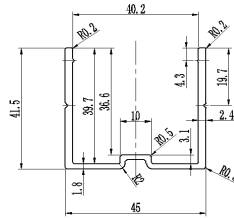
**TECHNICAL DATA**

Weight (g)	266
BOM	HOP-F43-0300 (AL6005-T5) x 1 ST6.3*25 Self-tapping screw(SUS 410) x8

**Rail Joiner (HU-SK-)**

# Data Sheet

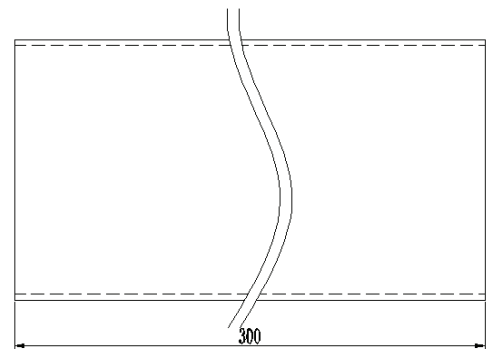
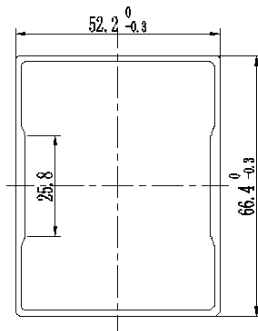
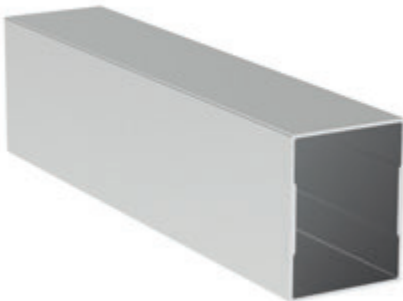
## EU RAIL JOINER HU-SK-EU



### TECHNICAL DATA

Weight (g)	144
BOM	HOP-F50-0200 (AL6005-T5) x 1 ST6.3*25 Self-tapping screw(SUS 410) x4

## GHR RAIL JOINER HU-SK-GHR-0300

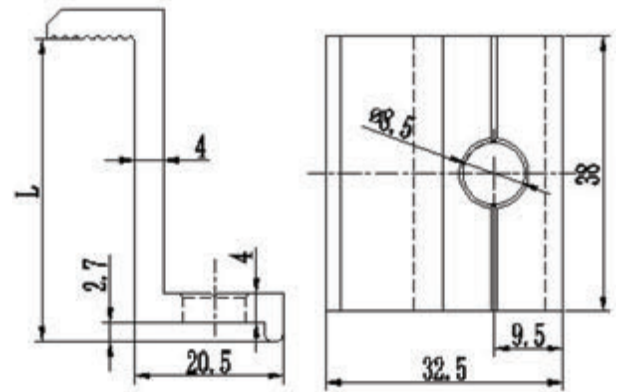


### TECHNICAL DATA

Weight (g)	326
BOM	HOP-F14-0300 (AL6005-T5) x 1 ST6.3*25 Self-tapping screw(SUS 410) x8

**Rail Joiner (HU-SK-)**

**SELECT END CLAMP**  
**HU-PC-ECS00-NS1**



No	P/N #	Feature Size L (mm)	Panel Size (mm)	Weight (g)
1	HU-PC-ECS25-NS1	24.7	25	55
2	HU-PC-ECS30-NS1	29.7	30	61
3	HU-PC-ECS35-NS1	34.7	35	61
4	HU-PC-ECS38-NS1	37.7	38	63
5	HU-PC-ECS40-NS1	39.7	40	65
6	HU-PC-ECS42-NS1	41.7	42	67
7	HU-PC-ECS45-NS1	44.7	45	65
8	HU-PC-ECS50-NS1	49.7	50	67

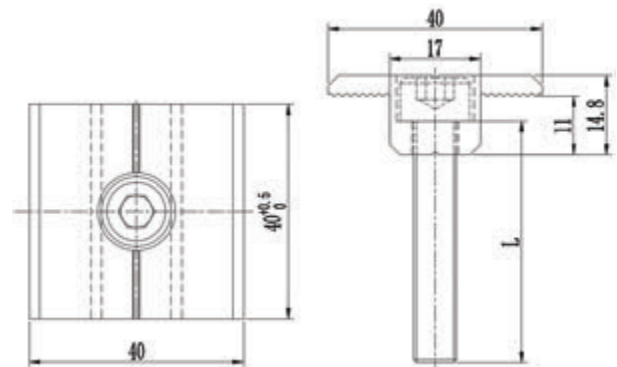
**TECHNICAL DATA**

Weight (g) See above table

BOM HOP-G01-0040 (AL6005-T5) x 1  
HOP-G91-0020 (AL6005-T5) x 1  
M8\*25 Hexagon socket head cap screws (SUS304) x1

**Panel Clamp (HU-PC-)**

**SELECT INNER CLAMP**  
**HU-PC-ICS00-NS1**



No	P/N #	Feature Size L (mm)	Panel Size (mm)	Weight (g)
1	HU-PC-ICS25-NS1	35	25	63
2	HU-PC-ICS30-NS1	40	30	64
3	HU-PC-ICS35-NS1	45	35	67
4	HU-PC-ICS38-NS1	50	38	69
5	HU-PC-ICS40-NS1	50	40	69
6	HU-PC-ICS42-NS1	50	42	69
7	HU-PC-ICS45-NS1	55	45	72
8	HU-PC-ICS50-NS1	60	50	73

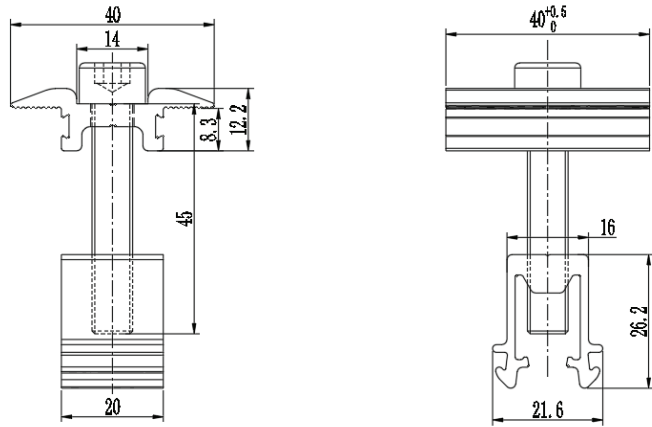
**TECHNICAL DATA**

Weight (g) See above table

BOM HOP-G03-0040 (AL6005-T5) x 1  
HOP-G91-0020 (AL6005-T5) x 1  
M8\*L Hexagon socket head cap screws (SUS304) x1

# Data Sheet

## FITS INNER CLAMP (30-40mm) HU-PC-FIC40-NS4

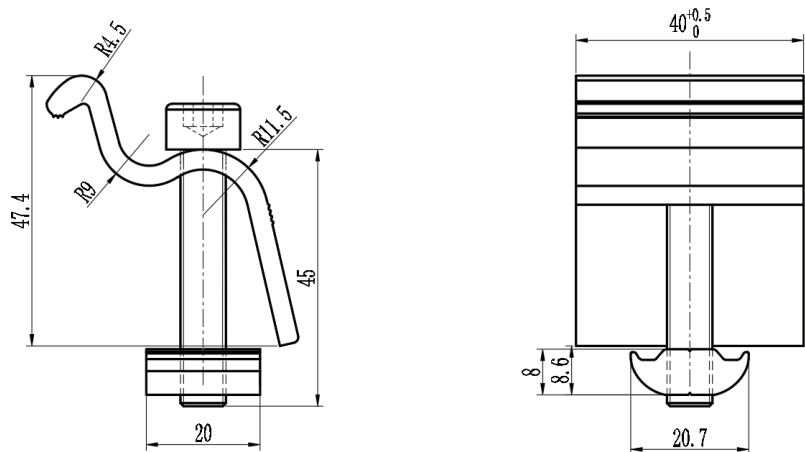


### TECHNICAL DATA

Weight (g) 63

BOM HOP-G40-0020 (AL6005-T5) x 1  
HOP-G41-0040 (AL6005-T5) x 1  
M8\*45 Hexagon socket head cap screws (SUS304) x1

## FITS END CLAMP (30-45mm) HU-PC-FEC45-NS2



### TECHNICAL DATA

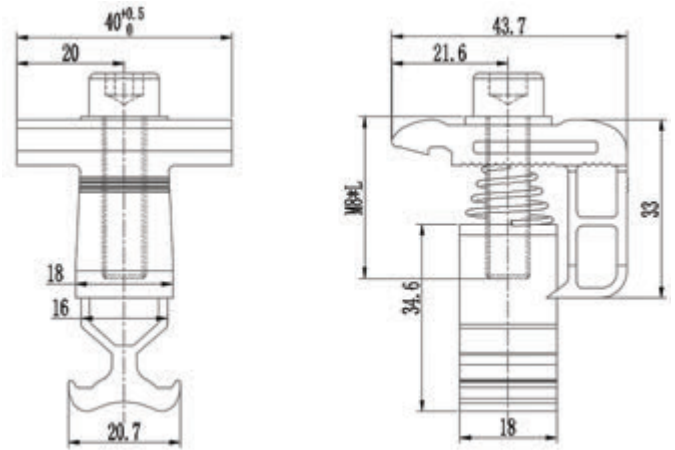
Weight (g) 61

BOM HOP-G39-0040 (AL6005-T5) x 1  
HOP-G92-0020 (AL6005-T5) x 1  
M8\*45 Hexagon socket head cap screws (SUS304) x1

Panel Clamp (HU-PC-)

Panel Clamp (HU-PC-)

UNIVERSAL PANEL CLAMP  
HU-PC-SUC00



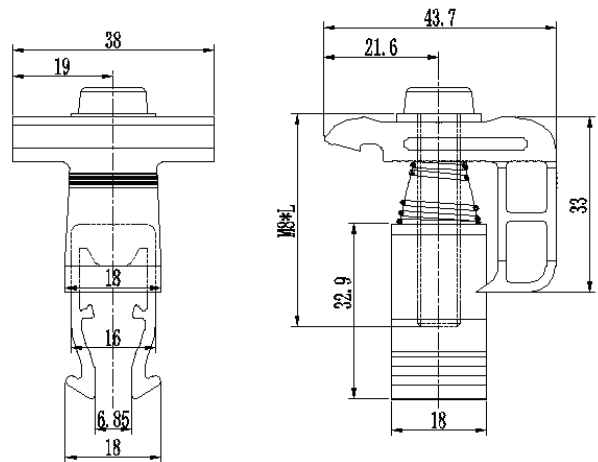
NO.	P/N #	FEARURE SIZE L (mm)	PANEL SIZE (mm)	WEIGHT (g)
1	H U - P C - SUC30	30	30-40	75
2	H U - P C - SUC40	40	45-50	79

TECHNICAL DATA

Weight (g)	54
BOM	HOP-G19-0040 (AL6005-T5) x 1 HOP-G36-0018 (AL6005-T5) x 1 HOP-L92-0016 (SUS301) x 1 M8*L Hexagon socket head cap screws (SUS304) x1 d8 Plain washers (SUS304) x 1

**!** CAN BE USED AS EITHER A MID CLAMP OR AN END CLAMP.

ULT UNIVERSAL PANEL CLAMP  
HU-PC-UPC00



NO.	P/N #	FEARURE SIZE L (mm)	PANEL SIZE (mm)	WEIGHT (g)
1	H U - P C - UPC40	40	30-40	74
2	H U - P C - UPC50	50	45-50	78

TECHNICAL DATA

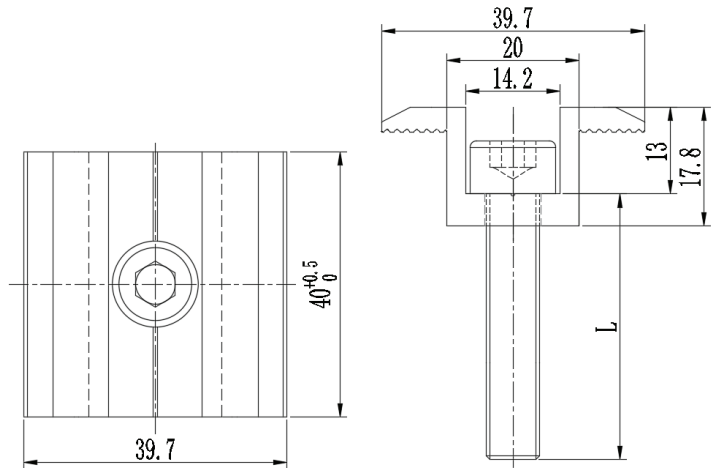
Weight (g)	See Table
BOM	HOP-G19-0038 (AL6005-T5) x 1 HOP-G20-0018 (AL6005-T5) x 1 HOP-L92-0016 (SUS301) x 1 M8*L Hexagon socket head cap screws (SUS304) x1 d8 Plain washers(SUS304) x1

**!** CAN BE USED AS EITHER A MID CLAMP OR AN END CLAMP.



# Data Sheet

## STANDARD INNER CLAMP HU-PC-ICL00-NS1



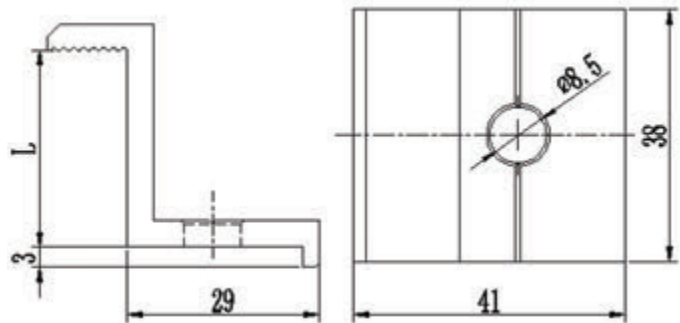
No	P/N #	Feature Size L (mm)	Panel Size (mm)	Weight (g)
1	HU-PC-ICL25-NS1	30	25	50
2	HU-PC-ICL30-NS1	35	30	52
3	HU-PC-ICL35-NS1	40	35	54
4	HU-PC-ICL38-NS1	45	38	56
5	HU-PC-ICL40-NS1	45	40	56
6	HU-PC-ICL42-NS1	45	42	56
7	HU-PC-ICL45-NS1	50	45	58
8	HU-PC-ICL50-NS1	55	50	60

### TECHNICAL DATA

Weight (g) See above table

BOM HOP-G25-0040 (AL6005-T5) x 1  
HOP-G91-0020 (AL6005-T5) x 1  
M8\*L Hexagon socket head cap screws (SUS304) x1

## HORIZONTAL END CLAMP HU-PC-ECH00-NS1



No	P/N #	Feature Size L (mm)	Panel Size (mm)	Weight (g)
1	HU-PC-ECH20-NS1	19.7	20	49
2	HU-PC-ECH30-NS1	29.7	30	53
3	HU-PC-ECH32-NS1	31.7	32	54
4	HU-PC-ECH35-NS1	34.7	35	55
5	HU-PC-ECH40-NS1	39.7	40	57
6	HU-PC-ECH45-NS1	44.7	45	59
7	HU-PC-ECH50-NS1	49.7	50	61
8	HU-PC-ECH25-NS1	55	50	60

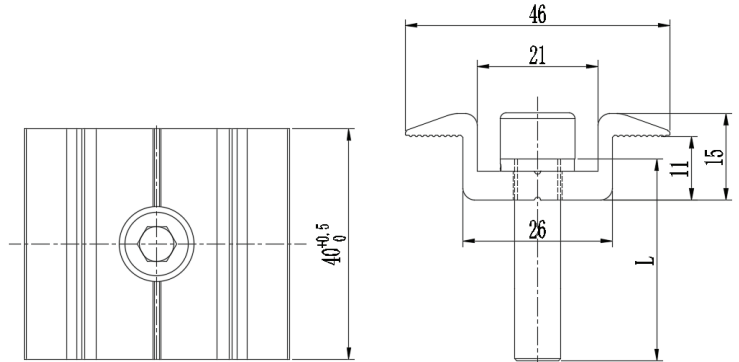
### TECHNICAL DATA

Weight (g) See above table

BOM HOP-G02-0040 (AL6005-T5) x 1  
HOP-G91-0020 (AL6005-T5) x 1  
M8\*25 Hexagon socket head cap screws (SUS304) x1  
d8 Spring washers (SUS304) x 1

Panel Clamp (HU-PC-)

**HORIZONTAL INNER CLAMP**  
**HU-PC-ICH00-NS1**



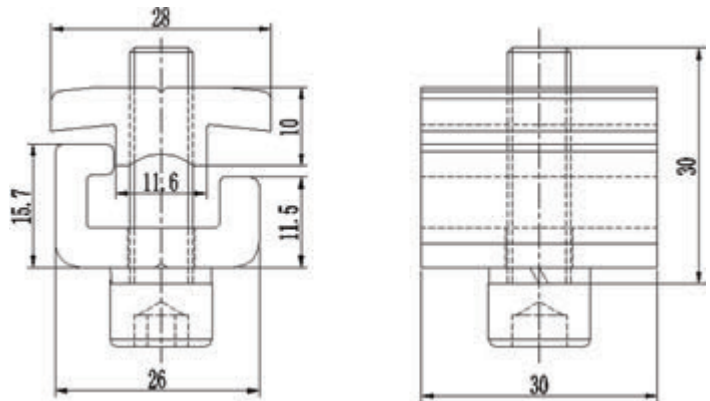
No	P/N #	Feature Size L (mm)	Panel Size (mm)	Weight (g)
1	HU-PC-ICH20-NS1	20	20	49
2	HU-PC-ECH32-NS1	35	32	54
3	HU-PC-ECH35-NS1	35	35	54
4	HU-PC-ECH40-NS1	40	40	56
5	HU-PC-ECH45-NS1	45	45	58
6	HU-PC-ECH50-NS1	50	50	60

**TECHNICAL DATA**

Weight (g) See above table

BOM HOP-G04-0040 (AL6005-T5) x 1  
HOP-G91-0020 (AL6005-T5) x 1  
M8\*L Hexagon socket head cap screws (SUS304) x1  
d8 Spring washers (SUS304) x 1

**UNIVERSAL PANEL CLAMP TYPE U**  
**HU-PC-GVR**



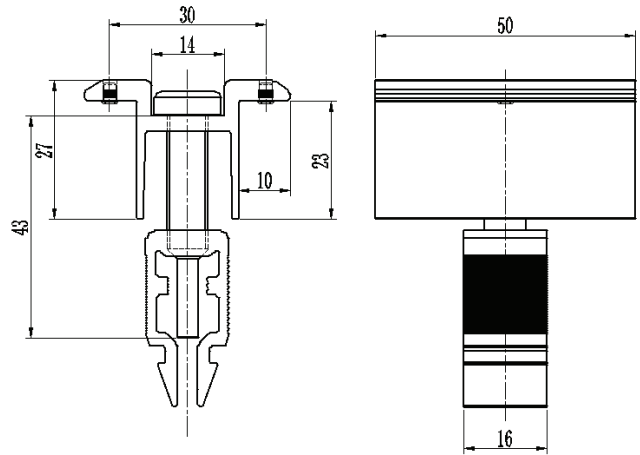
**TECHNICAL DATA**

Weight (g) 53

BOM HOP-G28-0030 (AL6005-T5) x 1  
HOP-G29-0030 (AL6005-T5) x 1  
d8 Plain washers(SUS304) x1  
M8\*30 Hexagon socket head cap screws (SUS304) x1

# Data Sheet

## EU FITS INNER CLAMP (30-40mm) HU-PC-EIC40-NS5

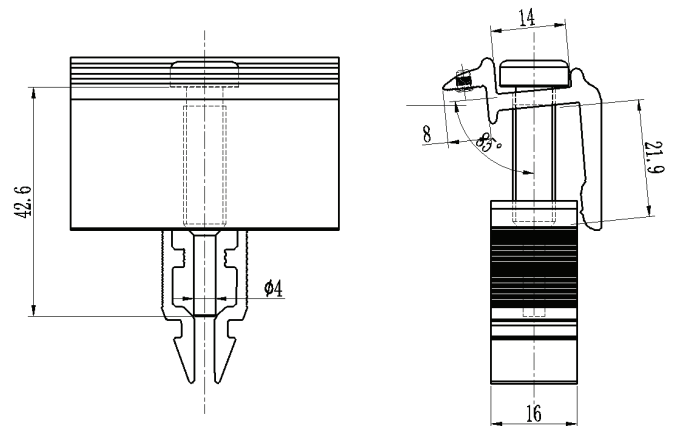


### TECHNICAL DATA

Weight (g) 54

BOM HOP-G44-0050 (AL6005-T5) x 1  
HOP-G46-0016 (AL6005-T5) x 1  
HOP-L26-0004 (SUS304) x 2  
M8\*42 Star socket screw (SUS304) x1

## EU FITS END CLAMP (30-40mm) HU-PC-EEC40-NS5

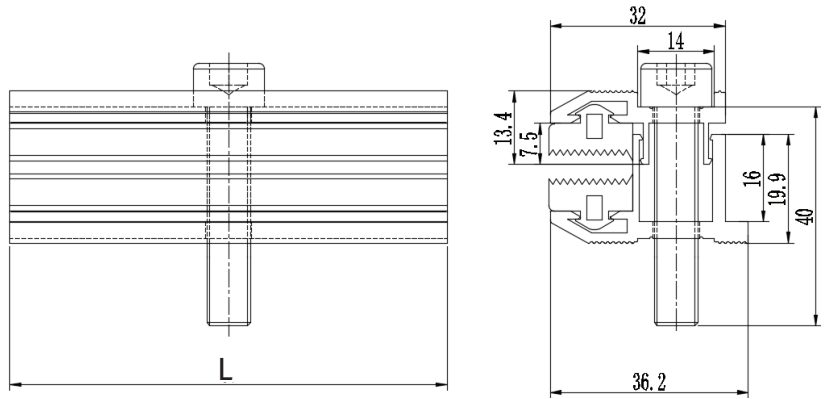
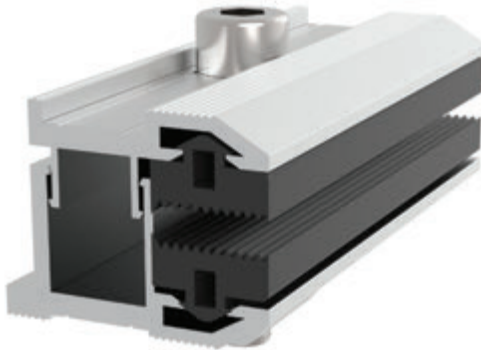


### TECHNICAL DATA

Weight (g) 49

BOM HOP-G45-0050 (AL6005-T5) x 1  
HOP-G46-0016 (AL6005-T5) x 1  
HOP-L26-0004 (SUS304) x 1  
M8\*42 Star socket screw (SUS304) x1

**THIN FILM END CLAMP #1**  
**HU-PC-TECA00-NS1**



No	P/N #	Feature Size L (mm)	Weight (g)
1	HU-PC-TECA08-NS1	80	103
2	HU-PC-TECA15-NS1	150	156

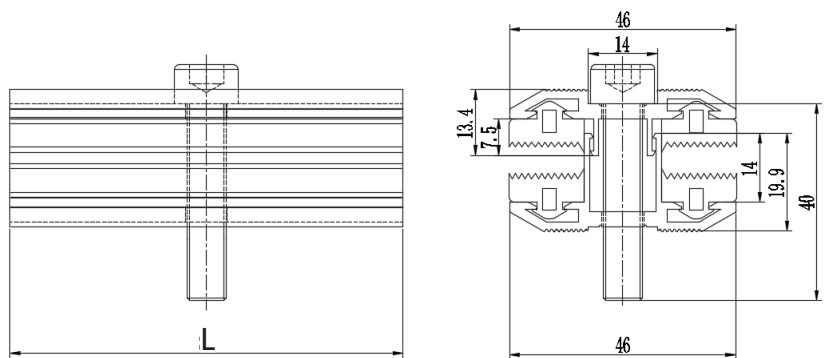
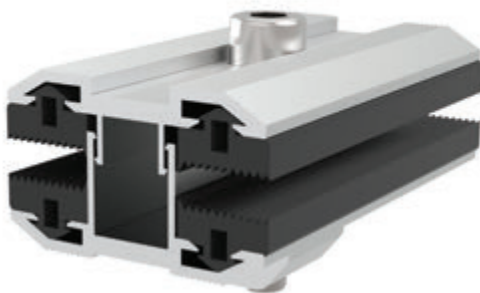
**TECHNICAL DATA**

Weight (g) See above table

BOM HOP-G13-0000 (AL6005-T5) x 1  
HOP-G14-0000 (AL6005-T5) x 1  
HOP-K01-0000 (EPDM) x 2  
M8\*40 Hexagon socket head cap screws (SUS304) x1

**Panel Clamp (HU-PC-)**

**THIN FILM INNER CLAMP #1**  
**HU-PC-TICA00-NS1**



No	P/N #	Feature Size L (mm)	Weight (g)
1	HU-PC-TICA08-NS1	80	124
2	HU-PC-TICA15-NS1	150	172

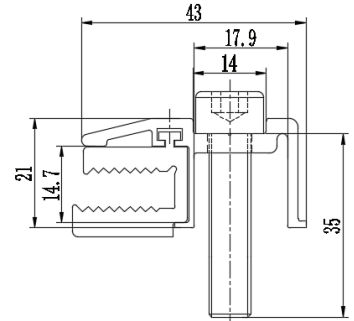
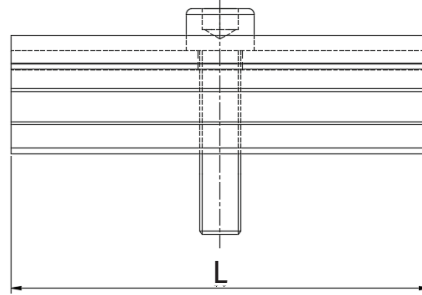
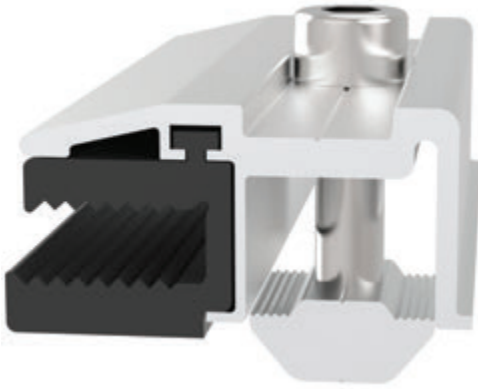
**TECHNICAL DATA**

Weight (g) See above table

BOM HOP-G15-0000 (AL6005-T5) x 1  
HOP-G16-0000 (AL6005-T5) x 1  
HOP-K01-0000 (EPDM) x 4  
M8\*40 Hexagon socket head cap screws (SUS304) x1

# Data Sheet

## THIN FILM END CLAMP #2 HU-PC-TECS00-NS1



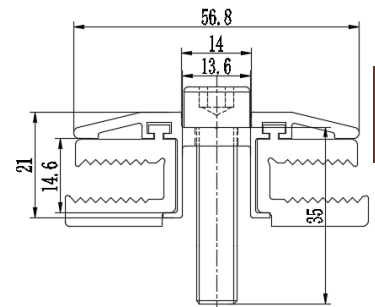
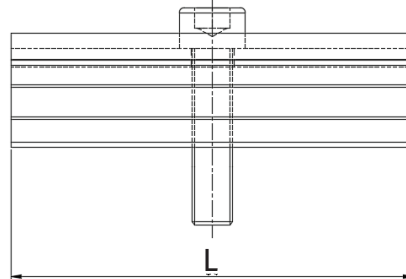
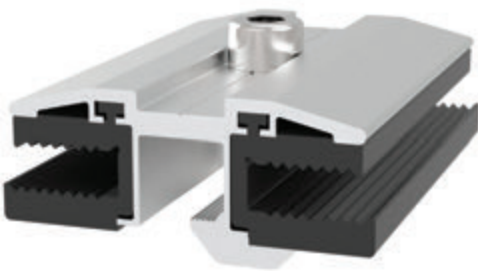
No	P/N #	Feature Size L (mm)	Weight (g)
1	HU-PC-TECS08-NS1	80	85
2	HU-PC-TECS15-NS1	150	136

### TECHNICAL DATA

Weight (g) See above table

BOM HOP-G18-0000 (AL6005-T5) x 1  
HOP-K02-0000 (EPDM) x 1  
M8\*35 Hexagon socket head cap screws (SUS304) x 1

## THIN FILM INNER CLAMP #2 HU-PC-TICS00-NS1



No	P/N #	Feature Size L (mm)	Weight (g)
1	HU-PC-TICS08-NS1	80	104
2	HU-PC-TICS15-NS1	150	171

### TECHNICAL DATA

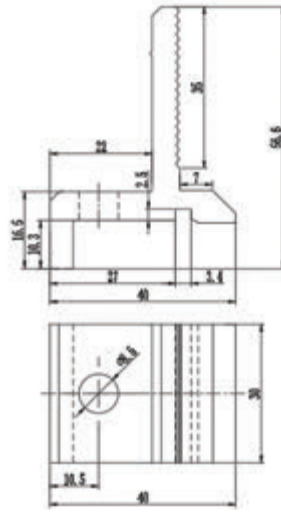
Weight (g) See above table

BOM HOP-G17-0000 (AL6005-T5) x 1  
HOP-K02-0000 (EPDM) x 2  
M8\*35 Hexagon socket head cap screws (SUS304) x 1

Panel Clamp (HU-PC-)



**SSA RAIL CLAMP  
HU-RC-SSA**

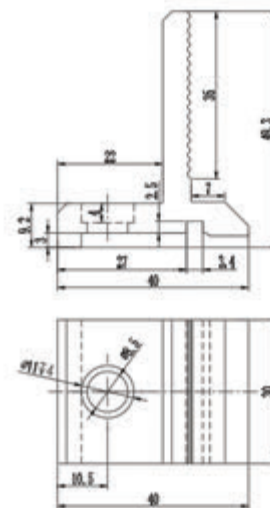


**TECHNICAL DATA**

Weight (g)	41
BOM	HOP-G22-0030 (AL6005-T5) x 1

**Rail Clamp (HU-RC-)**

**SSB RAIL CLAMP  
HU-RC-SSB**

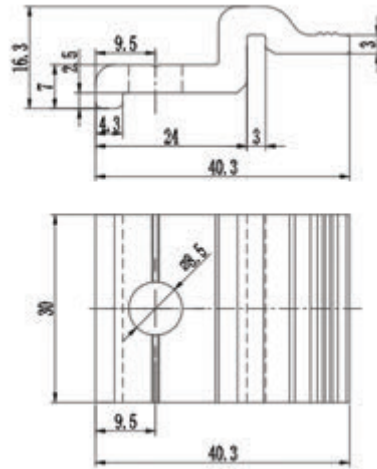


**TECHNICAL DATA**

Weight (g)	38
BOM	HOP-G22-0030 (AL6005-T5) x 1

# Data Sheet

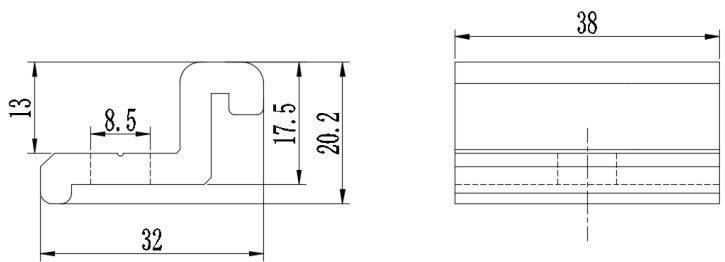
## SSC RAIL CLAMP HU-RC-SSC



### TECHNICAL DATA

Weight (g)	18
BOM	HOP-G33-0030 (AL6005-T5) x 1

## HEAVY RAIL CLAMP HU-RC-GR3

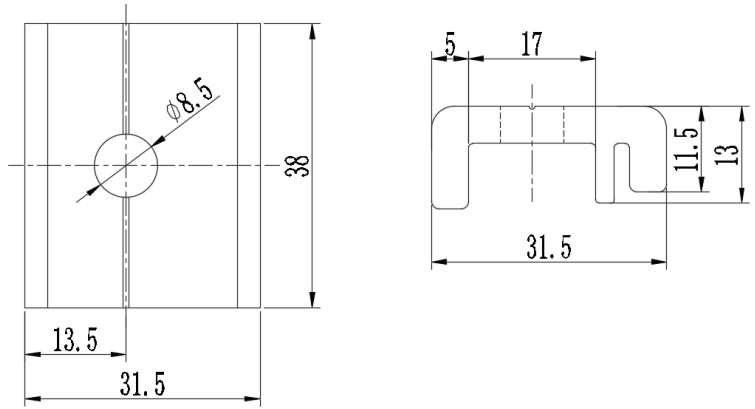


### TECHNICAL DATA

Weight (g)	22
BOM	HOP-G23-0038 (AL6005-T5) x 1

**Rail Clamp (HU-RC-)**

**TRI RAIL CLAMP  
HU-RC-GR1**

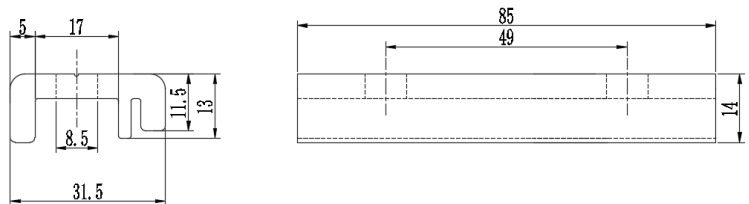


**TECHNICAL DATA**

Weight (g)	25
BOM	HOP-G24-0038 (AL6005-T5) x 1

**Rail Clamp (HU-RC-)**

**TRI RAIL CLAMP-2  
HU-RC-GR2**

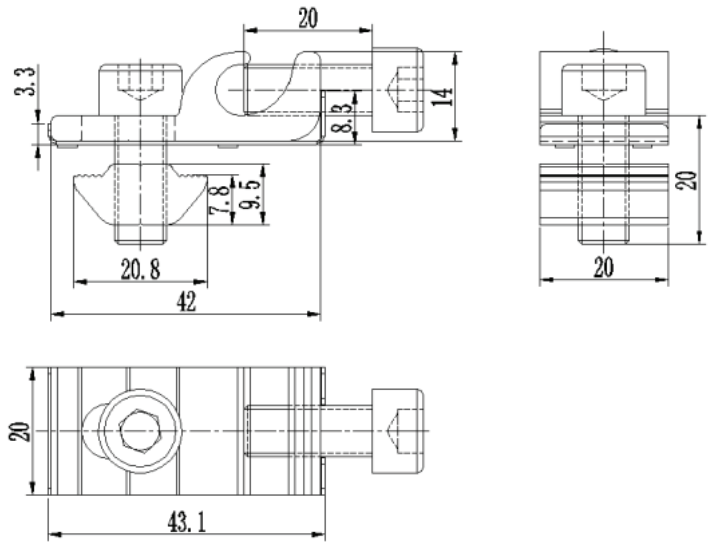


**TECHNICAL DATA**

Weight (g)	59
BOM	HOP-G24-0085 (AL6005-T5) x 1



**SELECT EARTHING LUG  
HU-AC-ELG01-NS1**

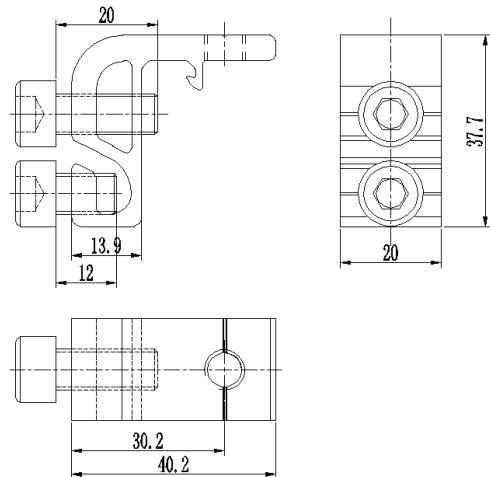


**TECHNICAL DATA**

Weight (g)	54
BOM	HOP-J66-0020 (AL6005-T5) x 1 HOP-G91-0020 (AL6005-T5) x 1 HOP-L15-0043 (SUS304) x 1 M8*20 Hexagon socket head cap screws (SUS304) x 2

**Accessories (HU-AC-)**

**ULT EARTHING LUG  
HU-AC-ELG02**



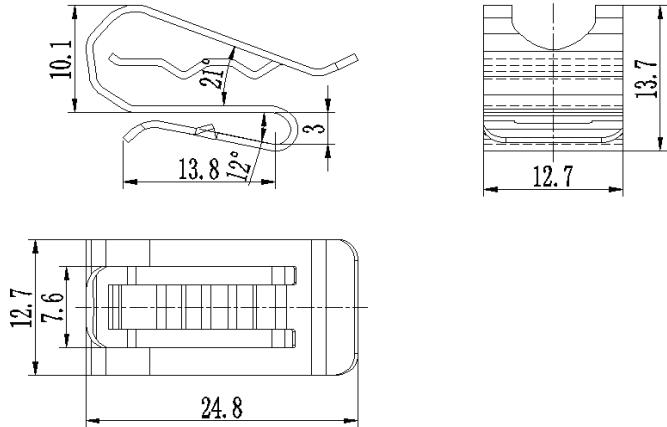
**TECHNICAL DATA**

Weight (g)	51
BOM	HOP-J65-0020 (AL6005-T5) x 1 M8*12 Hexagon socket head cap screws (SUS304) x 1 M8*20 Hexagon socket head cap screws (SUS304) x 1



# Data Sheet

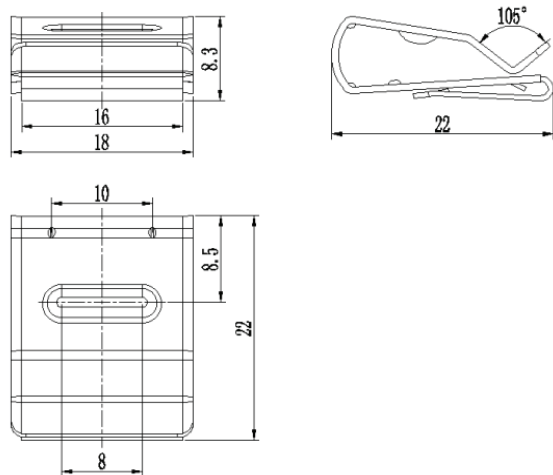
## TWO LINE PANEL CABLE CLIP TYPE S HU-AC-PCC01



### TECHNICAL DATA

Weight (g)	4
BOM	HOP-L16-0025 (SUS304) x 1

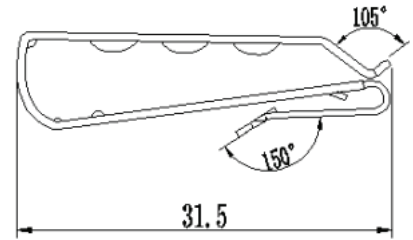
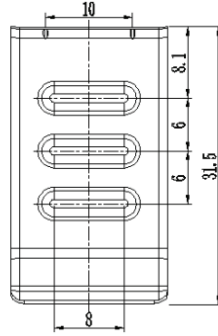
## TWO LINE PANEL CABLE CLIP HU-AC-PCC02



### TECHNICAL DATA

Weight (g)	4
BOM	HOP-L19-0022 (SUS304) x 1

**THREE LINE PANEL CABLE CLIP  
HU-AC-PCC03**



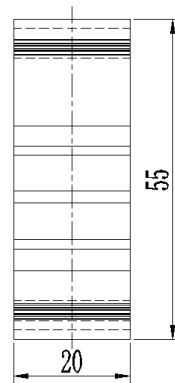
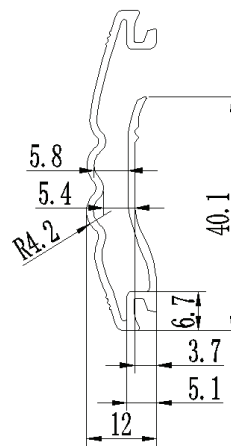
**TECHNICAL DATA**

Weight (g) 6

BOM HOP-L20-0032 (SUS304) x 1

**Accessories (HU-AC-)**

**ULT RAIL CABLE CLIP  
HU-AC-PCC04**



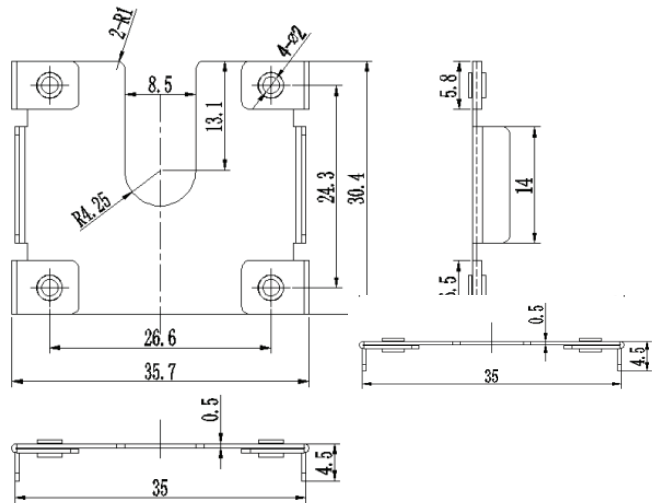
**TECHNICAL DATA**

Weight (g) 8

BOM HOP-J64-0020 (SUS304) x 1

# Data Sheet

## STANDARD EARTHING PLATE HU-AC-EPL01

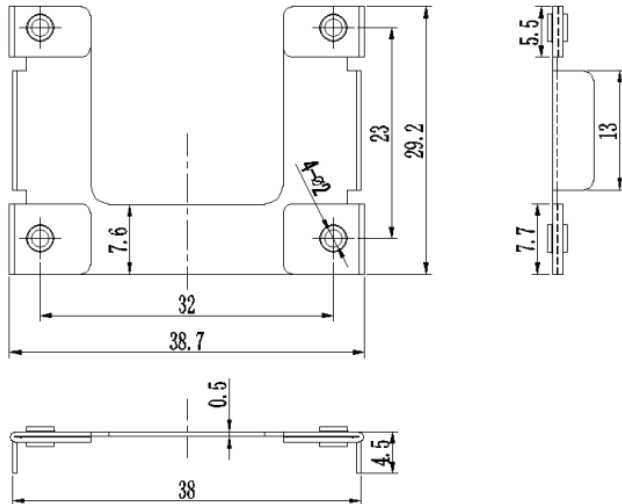


### TECHNICAL DATA

Weight (g) 6

BOM HOP-L11-0036 (SUS304) x 1

## LEX EARTHING PLATE HU-AC-EPL02

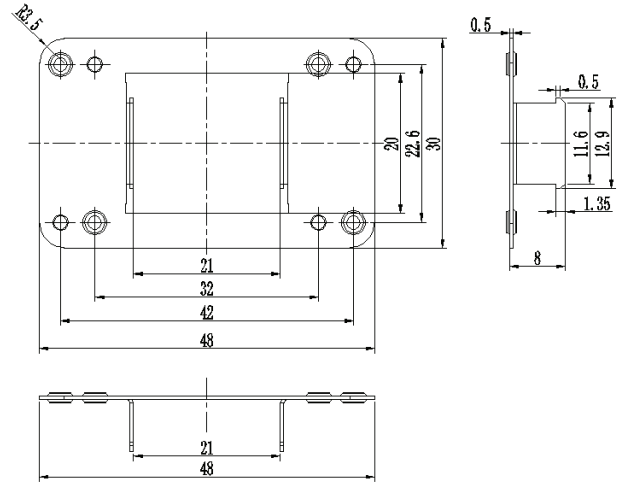


### TECHNICAL DATA

Weight (g) 6

BOM HOP-L12-0039 (SUS304) x 1

**ULT EARTHING PLATE  
HU-AC-EPL03**

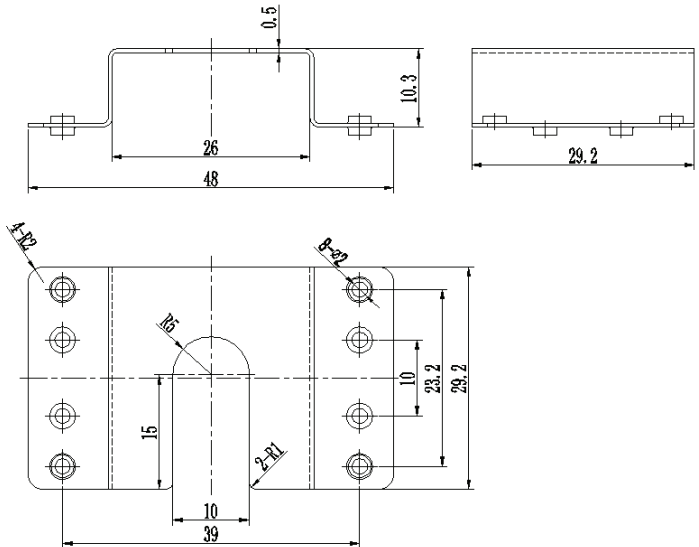


**TECHNICAL DATA**

Weight (g)	6
BOM	HOP-L13-0048 (SUS304) x 1

**Accessories (HU-AC-)**

**HD EARTHING PLATE  
HU-AC-EPL04**

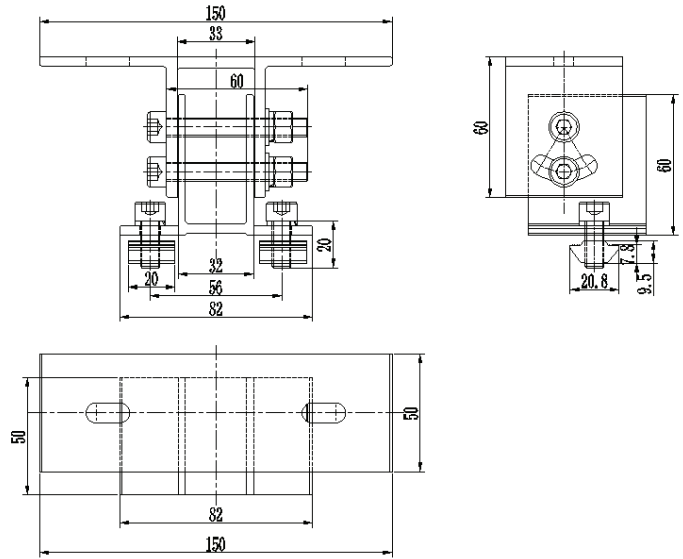


**TECHNICAL DATA**

Weight (g)	8
BOM	HOP-L14-0048 (SUS304) x 1

# Data Sheet

## ANGLE CONVERTER HU-AC-ACQ

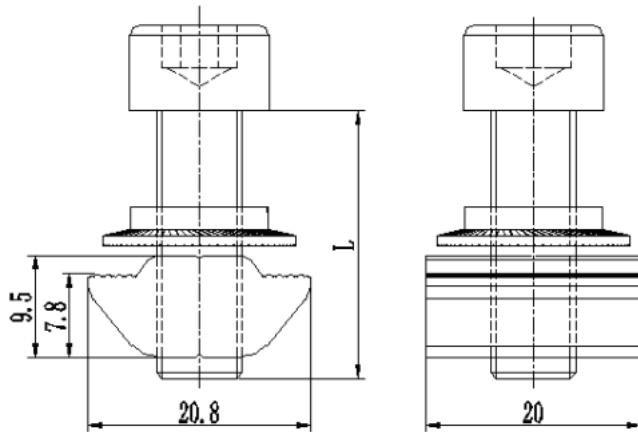


### TECHNICAL DATA

Weight (g) 376

BOM  
 HOP-H87-0050 (AL6005-T5) x 1  
 HOP-H88-0060 (AL6005-T5) x 1  
 HOP-G91-0020 (AL6005-T5) x 2  
 M8\*20 Hexagon socket head cap screws (SUS304) x2  
 M8\*60 Hexagon socket head cap screws (SUS304) x2  
 d8 Plain washers(SUS304) x2  
 d8 Spring washers (SUS304) x 4  
 M8 Hexagon Nuts(SUS304) x2

## SELECT FIXING BOLT AND NUT HU-AC-NS1-00



No	P/N #	Feature Size L	Panel Size
1	HU-AC-NS1-25	25	28
2	HU-AC-NS1-28	28	29

### TECHNICAL DATA

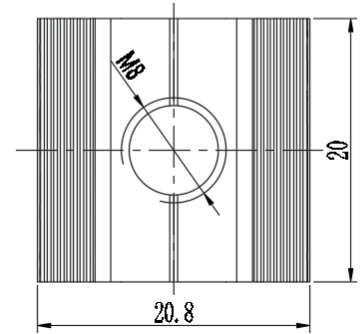
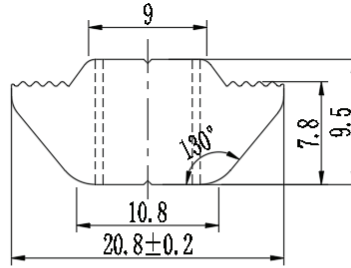
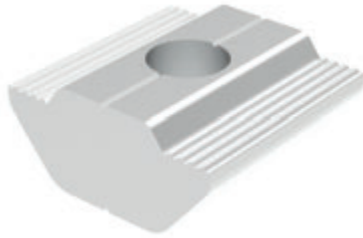
Weight (g) See Table

BOM  
 HOP-G91-0020 (AL6005-T5) x 1  
 d8 Spring washers (SUS304) x 1  
 M8\*13 Ribbed Lock washers (SUS304) x 1  
 M8\*L Hexagon socket head cap screws (SUS304) x1

Accessories (HU-AC-)



**SELECT NUT #1**  
**HU-AC-NS1**

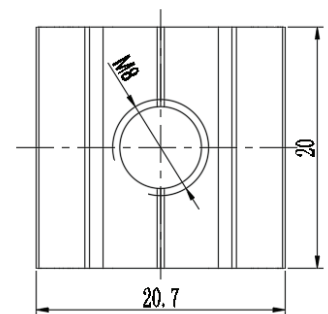
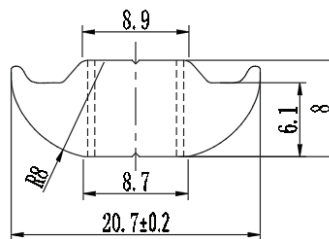
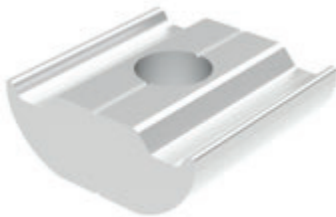


**TECHNICAL DATA**

Weight (g)	7
BOM	HOP-G91-0020 (AL6005-T5) x 1

**Accessories (HU-AC-)**

**SELECT NUT #2**  
**HU-AC-NS2**

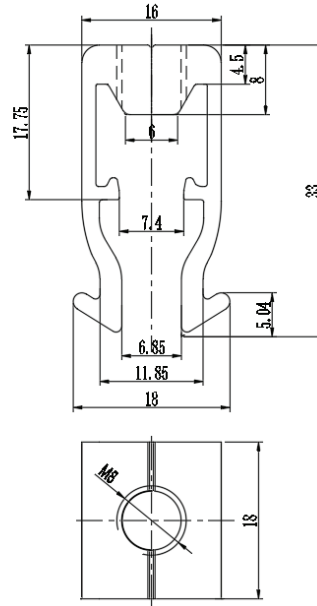


**TECHNICAL DATA**

Weight (g)	6
BOM	HOP-G92-0020 (AL6005-T5) x 1

# Data Sheet

## ULT CLAMP NUT HU-AC-NS8

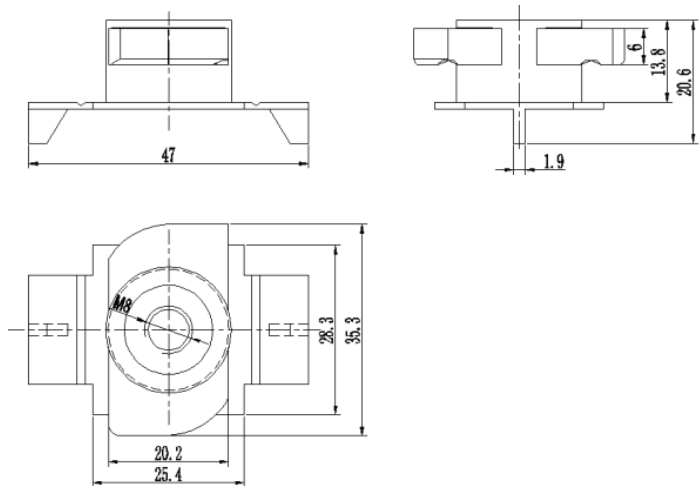
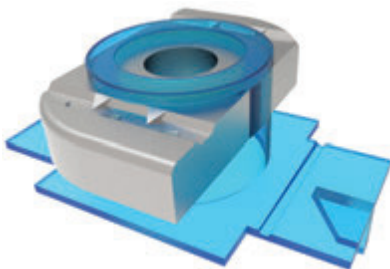


### TECHNICAL DATA

Weight (g) 11

BOM HOP-G20-0018 (AL6005-T5) x 1

## M8 CARBON STEEL FIXING NUT HU-AC-CSN-M8

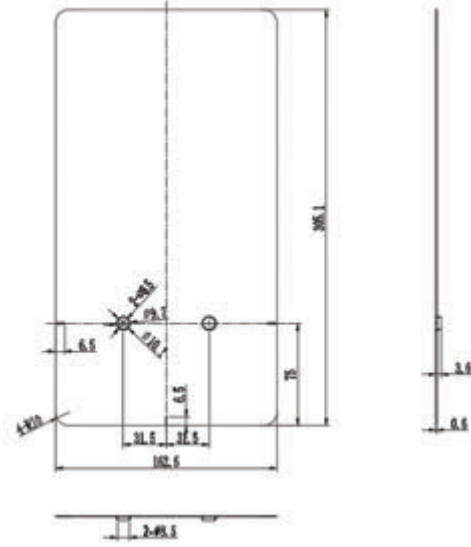


### TECHNICAL DATA

Weight (g) 27

BOM HOP-M91-0035 (Q235) x 1  
HOP-K91-0047 (PPC) x 1

**KS WATERPROOF PLATE  
HOP-T54-0305**

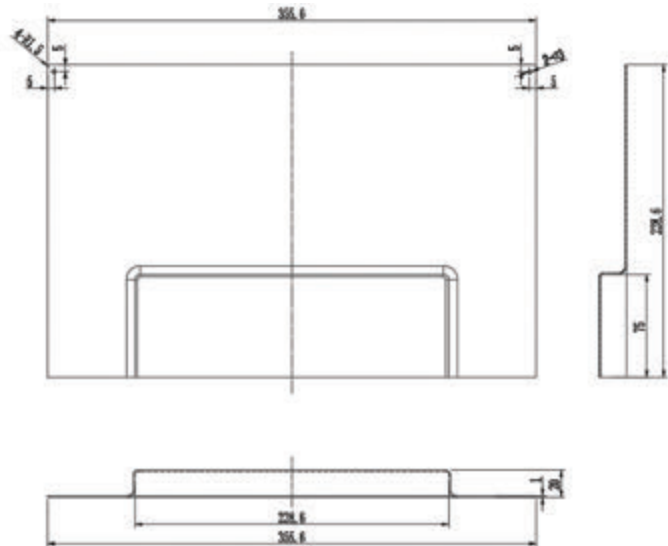


**TECHNICAL DATA**

Weight (g)	80
BOM	HOP-T54-0305 (AL1060-H24) x 1

**Accessories (HU-AC-)**

**WATERPROOF PLATE #1  
HOP-T55-0356**

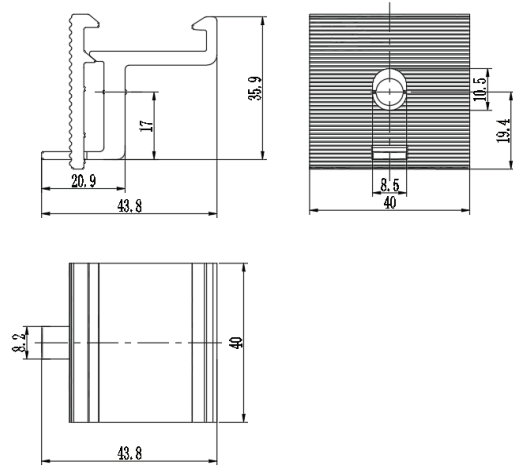


**TECHNICAL DATA**

Weight (g)	238
BOM	HOP-T55-0356 (AL1060-O) x 1

# Data Sheet

## ULT RAIL CLAMP HU-AC-RFU

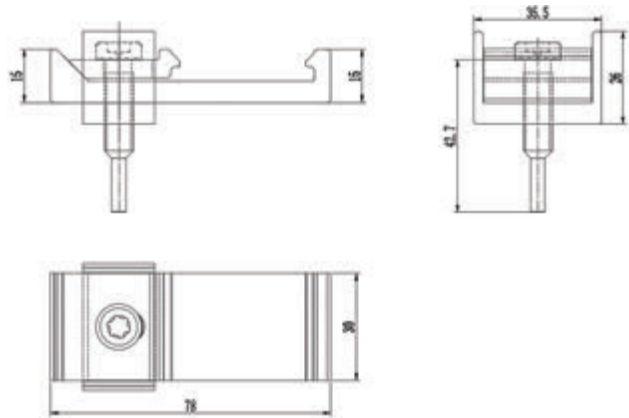


### TECHNICAL DATA

Weight (g) 44

BOM HOP-H21-0040 (AL6005-T5) x 1  
HOP-H22-0040 (AL6005-T5) x 1

## EU CLAMP SET HU-AC-RFE

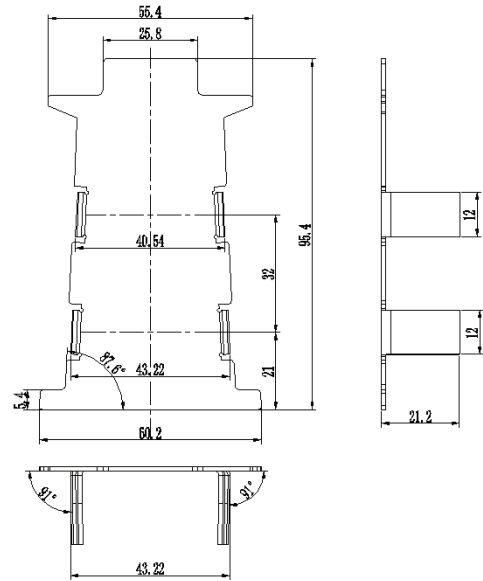


### TECHNICAL DATA

Weight (g) 82

BOM HOP-L38-0007 (SUS301) x 1  
HOP-L29-0042 (SUS304) x 1  
HOP-H46-0020 (AL6005-T5) x 1  
HOP-H45-0030 (AL6005-T5) x 1  
HOP-H44-0030 (AL6005-T5) x 1

**GDR RAIL ALUMINUM END CAP  
HU-AC-AEC-GDR**

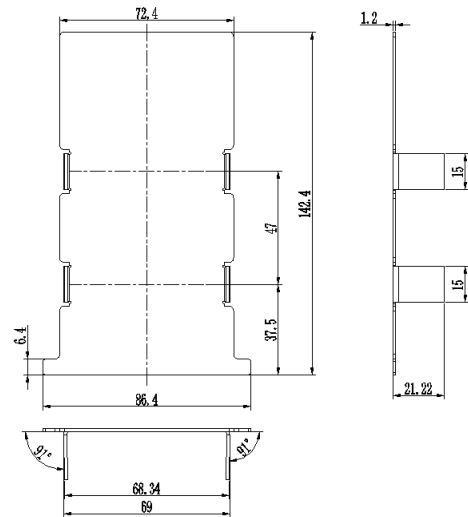


**TECHNICAL DATA**

Weight (g)	16
BOM	HOP-J23-0095 (AL1060-H24) x 1

**Accessories (HU-AC-)**

**GKR RAIL ALUMINUM END CAP  
HU-AC-AEC-GKR**



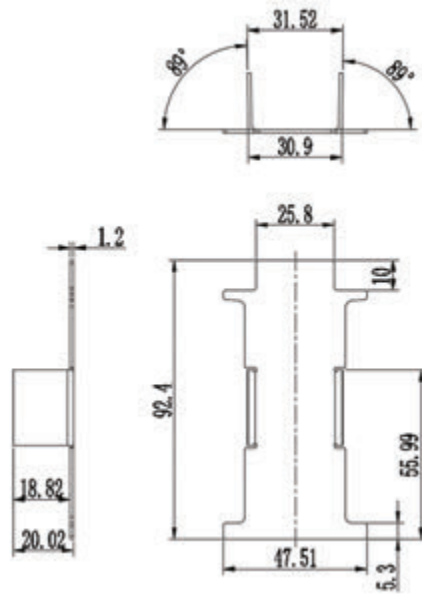
**TECHNICAL DATA**

Weight (g)	35
BOM	HOP-J24-0135 (AL1060-H24) x 1



# Data Sheet

## GXR RAIL ALUMINUM END CAP HU-AC-AEC-GXR

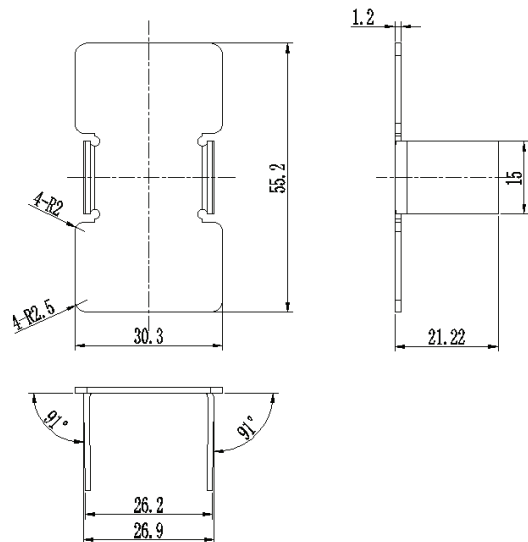


### TECHNICAL DATA

Weight (g) 13

BOM HOP-J28-0092 (AL1060-H24) x 1

## ULT RAIL ALUMINUM END CAP HU-AC-AEC-ULT

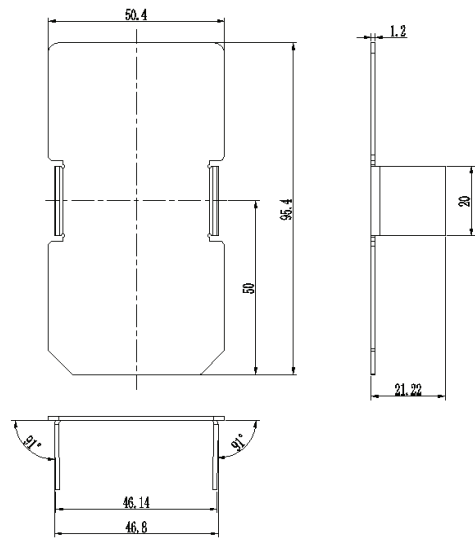


### TECHNICAL DATA

Weight (g) 11

BOM HOP-J21-0055 (AL1060-H24) x 1

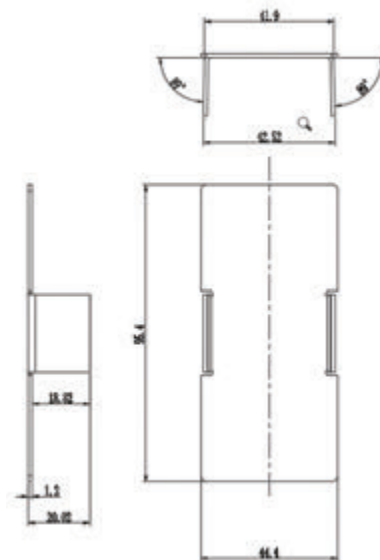
**TYPE 50 RAFTER ALUMINUM END CAP  
HU-AC-AEC-50**



**TECHNICAL DATA**

Weight (g)	18
BOM	HOP-J25-0095 (AL1060-H24) x

**TYPE 44 RAFTER ALUMINUM END CAP  
HU-AC-AEC-44**



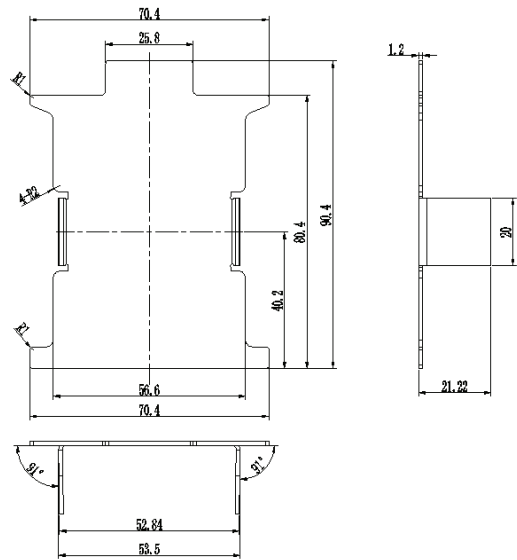
**TECHNICAL DATA**

Weight (g)	16
BOM	HOP-J17-0095 (AL1060-H24) x 1

**Accessories (HU-AC-)**

# Data Sheet

## GHR RAIL ALUMINUM END CAP HU-AC-AEC-GHR



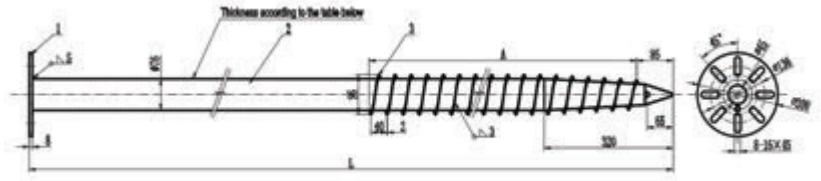
### TECHNICAL DATA

Weight (g) 18

BOM HOP-J22-0090 (AL1060-H24) x 1

Accessories (HU-AC-)

**GROUND SCREW TYPE A**  
**HU-GS-76-0000A00**

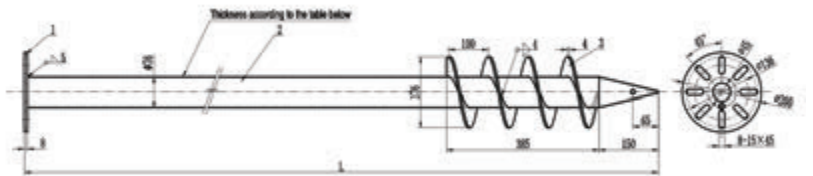


NO.	P/N #	FEARURE SIZE		THICKNESS	WEIGHT KG
		A	L		
1	HU-GS-76-1200A00	600	1200	2.5	8.01
2	HU-GS-76-1400A00	700	1400	2.5	9.00
3	HU-GS-76-1600A00	800	1600	2.5	10.04
4	HU-GS-76-1800A00	900	1800	2.5	11.03
5	HU-GS-76-2000A00	1000	2000	2.75	12.94
6	HU-GS-76-2200A00	1080	2200	2.75	14.06
7	HU-GS-76-2500A00	1200	2500	2.75	15.68
8	HU-GS-76-2800A00	1200	2800	2.75	17.17
9	HU-GS-76-3000A00	1200	3000	2.75	18.17

**TECHNICAL DATA**

Weight (kg)	See table
BOM	HOP-A10-0000 (Q235 galvanized) x 1

**GROUND SCREW TYPE B**  
**HU-GS-76-0000B00**



NO.	P/N #	FEARURE SIZE L	THICKNESS	WEIGHT KG
2	HU-GS-76-1400B00	1400	2.5	11.31
3	HU-GS-76-1600B00	1600	2.5	12.32
4	HU-GS-76-1800B00	1800	2.5	13.32
5	HU-GS-76-2000B00	2000	2.75	15.20
6	HU-GS-76-2200B00	2200	2.75	16.29
7	HU-GS-76-2500B00	2500	2.75	17.93
8	HU-GS-76-2800B00	2800	2.75	19.57

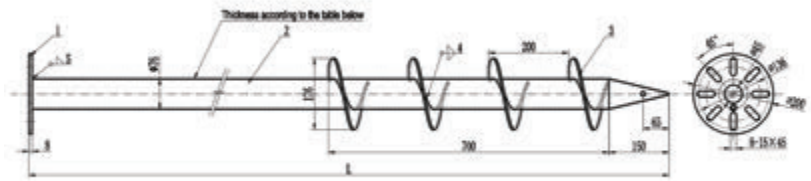
**TECHNICAL DATA**

Weight (kg)	See table
BOM	HOP-A20-0000 (Q235 galvanized) x 1

**Ground Screw (-HU-GS-)**

# Data Sheet

## GROUND SCREW TYPE C HU-GS-76-0000C00

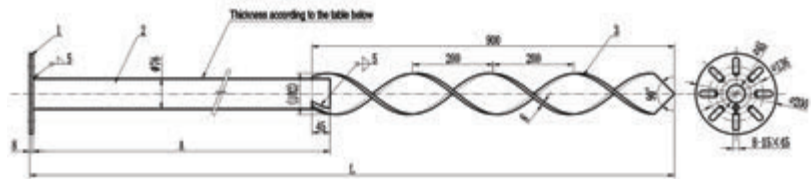


NO.	P/N #	FEARURE SIZE L	THICKNESS	WEIGHT KG
1	HU-GS-76-1200C00	1200	2.5	10.16
2	HU-GS-76-1400C00	1400	2.5	11.17
3	HU-GS-76-1600C00	1600	2.5	12.17
4	HU-GS-76-1800C00	1800	2.5	13.18
5	HU-GS-76-2000C00	2000	2.75	15.05
6	HU-GS-76-2200C00	2200	2.75	16.15
7	HU-GS-76-2500C00	2500	2.75	17.79
8	HU-GS-76-2800C00	2800	2.75	19.43

### TECHNICAL DATA

Weight (kg)	See table
BOM	HOP-A30-0000 (Q235 galvanized) x 1

## GROUND SCREW TYPE D HU-GS-76-0000D00



NO.	P/N #	FEARURE SIZE		THICKNESS	WEIGHT KG
		A	L		
1	HU-GS-76-1200D00	337	1200	2.5	10.80
2	HU-GS-76-1400D00	537	1400	2.5	11.70
3	HU-GS-76-1600D00	737	1600	2.5	12.61
4	HU-GS-76-1800D00	937	1800	2.5	13.52
5	HU-GS-76-2000D00	1137	2000	2.75	14.99
6	HU-GS-76-2200D00	1337	2200	2.75	15.98
7	HU-GS-76-2500D00	1637	2500	2.75	17.47
8	HU-GS-76-2800D00	1937	2800	2.75	19.01

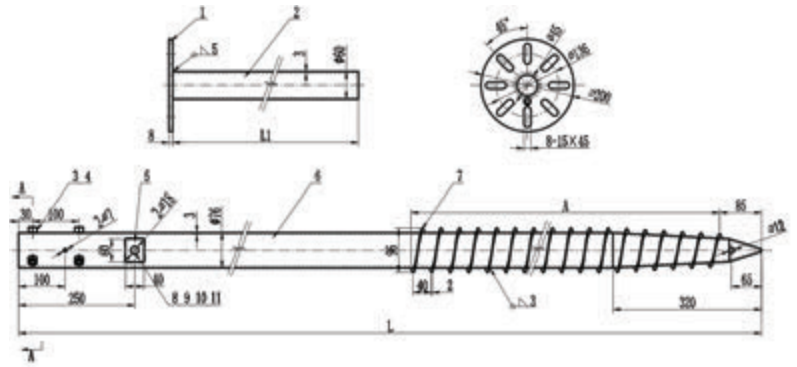
### TECHNICAL DATA

Weight (kg)	See table
BOM	HOP-A40-0000 (Q235 galvanized) x 1

Ground Screw (HU-GS-)



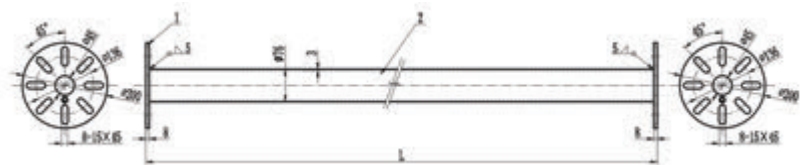
**GROUND SCREW TYPE E**  
**HU-GS-76-0000E00**



TECHNICAL DATA	
Weight (kg)	See table
BOM	HOP-A50-0000 (Q235 galvanized) x 1 d16 Plain washers (SUS304) x1 M12 Hexagon Nuts (SUS304) x 6 M16 Hexagon Nuts (SUS304) x 1 d16 Spring washers (SUS304) x 1 M12x30 Hexagon head screws (SUS304) x6 M16x100 Hexagon head screws (SUS304) x1

NO.	P/N #	FEARURE SIZE			THICKNESS	WEIGHT KG
		A	L	L1		
1	H U - G S - 7 6 - 1200E00	600	1200	400	2.5	11.02
2	H U - G S - 7 6 - 1400E00	700	1400	400	2.5	12.14
3	H U - G S - 7 6 - 1600E00	800	1600	400	2.5	13.29
4	H U - G S - 7 6 - 1800E00	900	1800	400	2.5	14.41
5	H U - G S - 7 6 - 2000E00	1000	2000	400	2.75	15.56

**GROUND SCREW TYPE G**  
**HU-GS-76-0000G00**



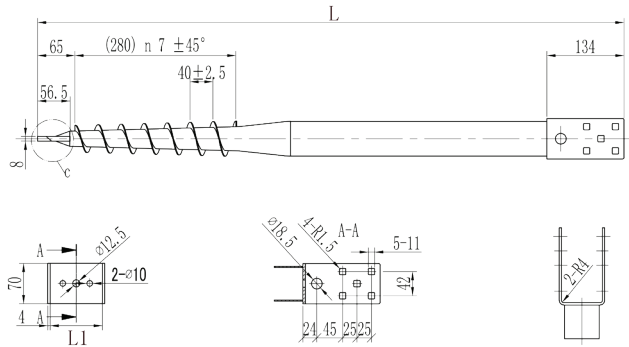
TECHNICAL DATA	
Weight (kg)	See table
BOM	HOP-A70-0000 (Q235 galvanized) x 1

NO.	P/N #	FEARURE SIZE L	THICKNESS	WEIGHT KG
2	H U - G S - 7 6 - 0400G00	400	2	6.11
3	H U - G S - 7 6 - 0500G00	500	2	6.65
4	H U - G S - 7 6 - 0600G00	600	2	7.19
5	H U - G S - 7 6 - 0800G00	800	2	8.27
6	H U - G S - 7 6 - 1000G00	1000	2	9.35
7	H U - G S - 7 6 - 1200G00	1200	2	10.43
8	H U - G S - 7 6 - 1400G00	1400	2	11.51
9	H U - G S - 7 6 - 1500G00	1500	2	12.05
10	H U - G S - 7 6 - 1600G00	1600	2	12.59
11	H U - G S - 7 6 - 1800G00	1800	2	13.67
12	H U - G S - 7 6 - 2000G00	2000	2	14.75

**Ground Screw (-HU-GS-)**

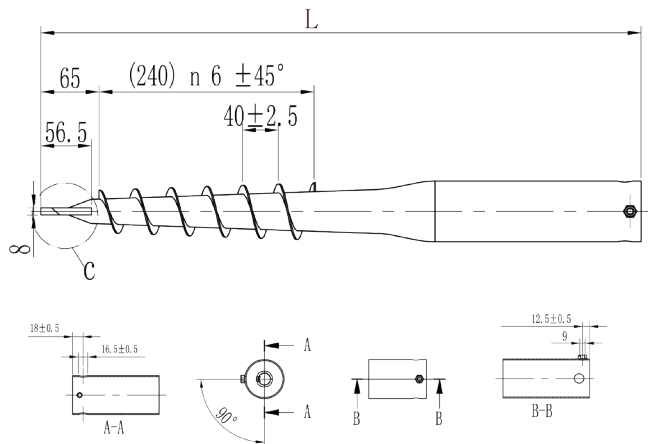
# Data Sheet

## GROUND SCREW TYPE J08 HU-GS-60-0000J08



NO.	P/N #	FEARURE SIZE		THICKNESS	WEIGHT KG
		L	L1		
1	HU-GS-60-0550J08	704	71	2	2.134
2	HU-GS-60-0730J08	884	71	2	2.651

## GROUND SCREW TYPE J01 HU-GS-68-0000J01



NO.	P/N #	FEARURE SIZE		THICKNESS	WEIGHT KG
		L			
1	HU-GS-68-0550J01	550		2	1.605
2	HU-GS-68-0650J01	650		2	1.930

Ground Screw (HU-GS-)

**GROUND SCREW TYPE J03  
HU-GS-60-2060J03**



NO.	P/N #	FEARURE SIZE	THICKNESS	WEIGHT KG
		L		
1	A91-0650-3M	670	2	1.7

**\*GROUND SCREW TYPE K11  
HU-GS-73-2060K11**



NO.	P/N #	FEARURE SIZE	THICKNESS	WEIGHT KG
		L		
1	H U - GS-A80-0800	800	2	1.5

**Ground Screw (-HU-GS-)**

# Data Sheet

## \*GROUND SCREW TYPE J07 HU-GS-114-2060J07



NO.	P/N #	FEARURE SIZE		THICKNESS	WEIGHT KG
		L	L1		
1	A40-0550.C071	704	71	2	1.9
2	A40-0730.C071	884	71	2	2.3
3	A40-0730.C091	884	91	2	2.4
4	A40-0730.C111	884	111	2	2.51
5	A40-0865.C091	1020	91	2	2.7
6	A40-0865.C111	1020	111	2	2.8

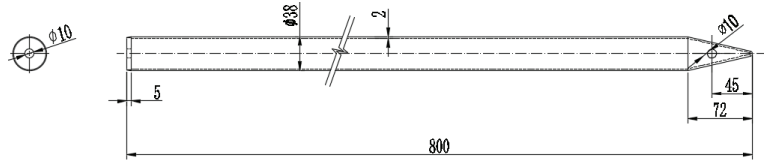
## GROUND SCREW TYPE J03 HU-GS-76-2060J03



NO.	P/N #	FEARURE SIZE	THICKNESS	WEIGHT KG
		L		
1	HU-GS-76-2060J3	2060	3.6	13.6

Ground Screw (HU-GS-)

**GROUND SCREW TYPE H  
HU-GS-38-0800H05**



NO.	P/N #	FEASURE SIZE	THICKNESS	WEIGHT KG
		L		
1	H U - G S - 3 8 - 0800H05	800	2	1.5

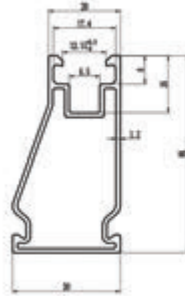
**Ground Screw (-HU-GS-)**

**Ground Screw (HU-GS-)**





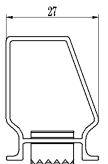
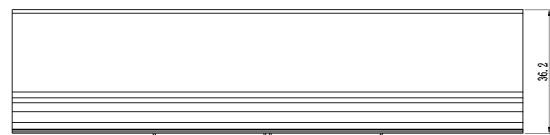
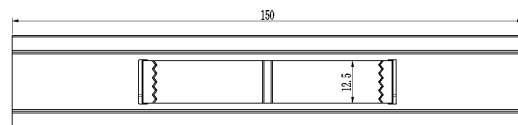
**NOVA NEW RAIL  
RA-NOV-0000**



**TECHNICAL DATA**

Weight (g/m)	0.647
BOM	HOP-F55-0000 (AL6005-T5) x 1

**NOVA NEW INNER RAIL JOINER  
SK-NOV**

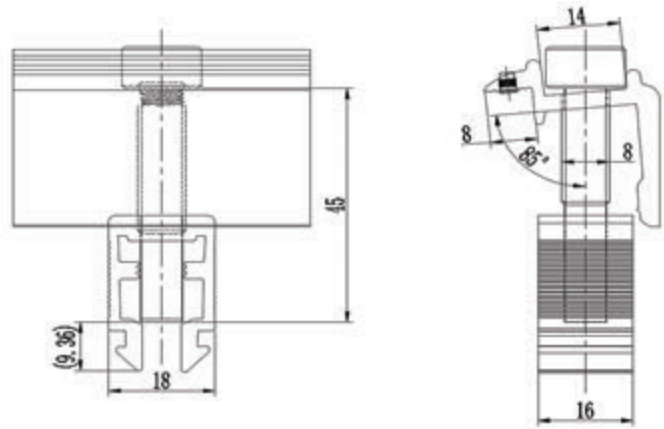
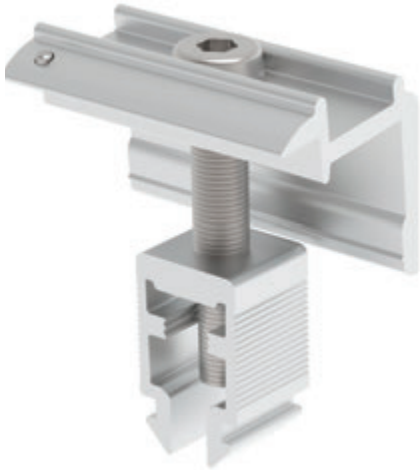


**TECHNICAL DATA**

Weight (g)	78
BOM	HOP-F27-0150 (AL6005-T5) x 1 HOP-F28-0012 (AL6005-T5) x 2 HOP-L22-0015 (SUS304) x 4

# Data Sheet

## NOVA UNIVERSAL PANEL END CLAMP PC-NEC40-NS6

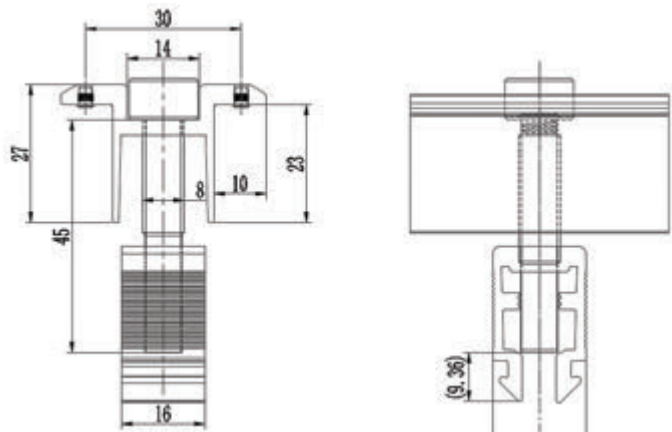


**!** CAN BE USED AS EITHER A MID CLAMP OR AN EDD CLAMP.

### TECHNICAL DATA

Weight (g)	61
BOM	HOP-G45-0050 (AL6005-T5) x 1 HOP-L37-0045 (SUS304) x 1 HOP-G48-0016 (AL6005-T5) x 1 HOP-L26-0004 (SUS304) x 1

## NOVA UNIVERSAL PANEL INNERCLAMP PC-NIC40-NS6



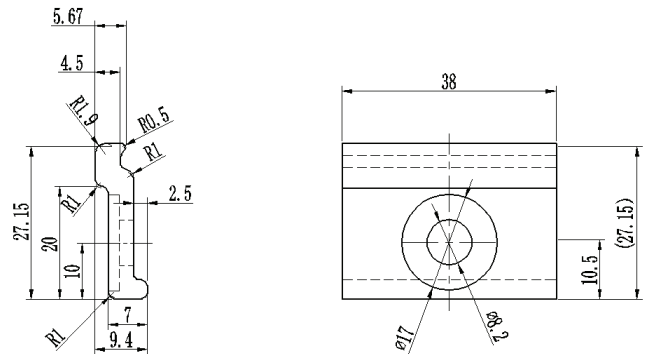
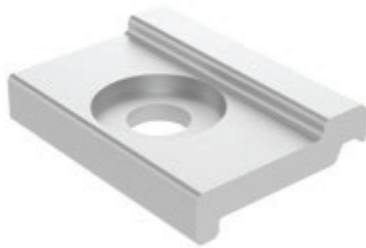
**!** CAN BE USED AS EITHER A MID CLAMP OR AN EDD CLAMP.

### TECHNICAL DATA

Weight (g)	65
BOM	HOP-G44-0050 (AL6005-T5) x 1 HOP-L37-0045 (SUS304) x 1 HOP-G48-0016 (AL6005-T5) x 1 HOP-L26-0004 (SUS304) x 2



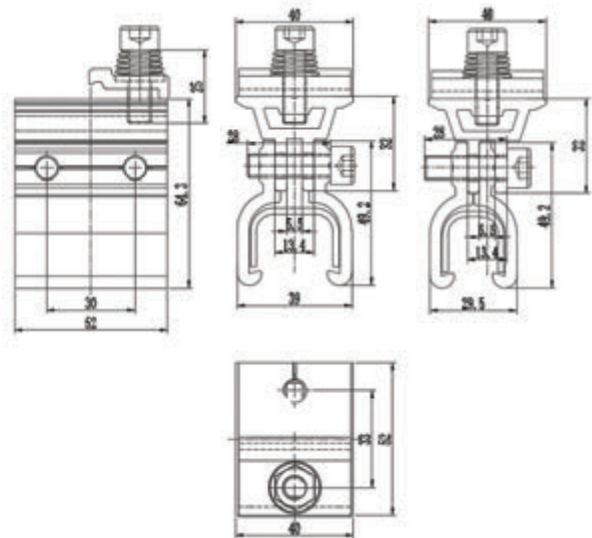
**NOVA NEW RAIL CLAMP  
AC-RCN**



**TECHNICAL DATA**

Weight (g)	14
BOM	HOP-G50-0038 (AL6005-T5) x 1

**NOVA NEW KLIPLOK INTERFACE BRACKET  
TRB-C12-RCN**



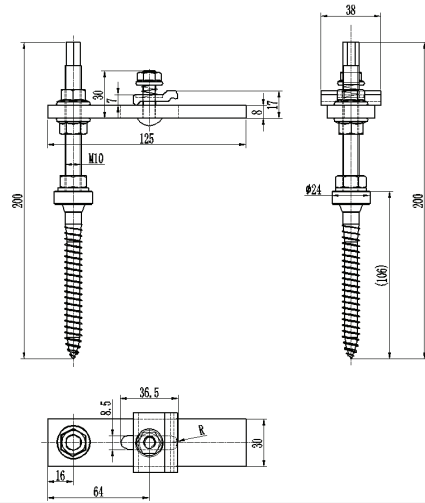
**TECHNICAL DATA**

Weight (g)	206
BOM	HOP-H29-0052 (AL6005-T5) x 1 HOP-H30-00052 (AL6005-T5) x 1 HOP-H30-00X52 (AL6005-T5) x 1 HOP-G92-0016 (SUS301) x 1 HOP-G50-0038 (AL6005-T5) x 1 HOP-K12-0060 (EPDM) x 1 M8*28 Hexagon socket head cap screws (SUS304) x2 M8*25 Hexagon socket head cap screws (SUS304) x1

! APPLICABLE TO BOTH KLIP-LOK 406 & 700

# Data Sheet

## NOVA NEW DOUBLE THREADED RAFTER SCREWS DS-02-200-RCN



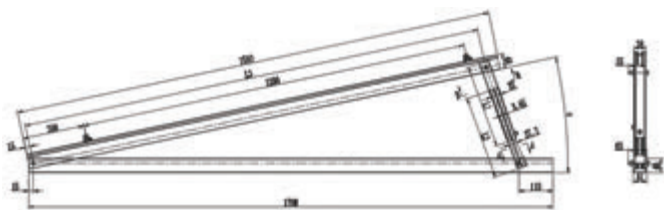
### TECHNICAL DATA

Weight (g) 275

### BOM

HOP-G50-0038 (AL6005-T5) x 1  
 HOP-L93-0017 (SUS301) x 1  
 M8 Flange Hexagon Nuts (SUS304) x 1  
 M8\*30 Carriage screws (SUS304) x 1  
 HOP-D005-100 (AL5052-H32) x 1  
 Φ24×13.5 Rubber mat (EPDM) x 1  
 M10\*200 Double Threaded Rafter Screws (SUS304) x1  
 M10 flange Hexagon Nuts (SUS304) x 3

## NOVA NEW ADJUSTABLE A-FRAME KIT TRB-AFK-AD00-RCN



No	P/N #	Feature Size				Weight	Suitable for
		$\alpha$	L1	L2	L3		
1	HU-TRB-AFK-AD15-RCN	10-15°	270	270	1500	3.668	10-15°
2	HU-TRB-AFK-AD30-RCN	15-30°	430	430	1415	3.882	15-30°
3	HU-TRB-AFK-AD60-RCN	30-60°	830	830	1415	4.415	30-60°

### TECHNICAL DATA

Weight (g) See above table

### BOM

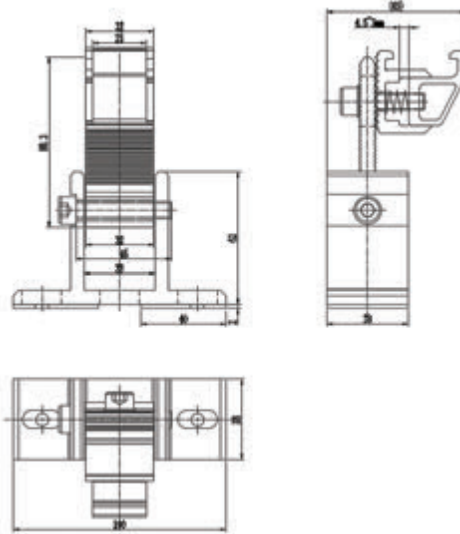
HOP-E10-1700 (AL6005-T5) x 1  
 HOP-E11-1560 (AL6005-T5) x 1  
 HOP-J06-0000 (AL6005-T5) x 1  
 HOP-J34-0030 (AL6005-T5) x 1  
 HOP-J07-0000 (AL6005-T5) x 1  
 HOP-J70-0033 (AL6005-T5) x 1  
 HOP-G92-0016 (AL6005-T5) x 2  
 HOP-G50-0038 (AL6005-T5) x 2  
 M8\*25 European standard T screws (SUS304) x2  
 M8 Hexagon nut with flange x 3  
 d8 Plain washers(SUS304) x3  
 d8 Spring washers (SUS304) x3  
 M8 Hexagon Nuts(SUS304) x3  
 ST6.3\*25 Self-tapping screw(SUS 410) x 1  
 M8\*20 Hexagon socket head cap screws (SUS304) x1  
 M8\*55 Hexagon socket head cap screws (SUS304) x1  
 M8\*60 Hexagon socket head cap screws (SUS304) x2

**NOVA**



# Data Sheet

## NOVA NEW ADJUSTABLE FRONT LEG TRB-AFL-RFN

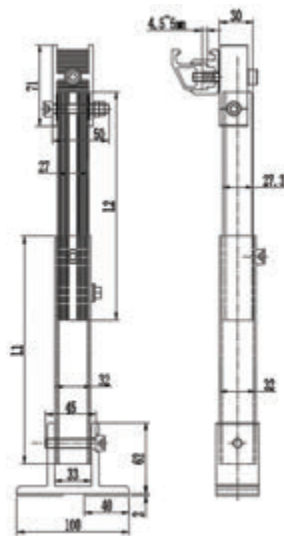


### TECHNICAL DATA

Weight (g) 324

BOM	HOP-H81-0038 (AL6005-T5) x 1 HOP-H40-0032 (AL6005-T5) x 1 HOP-H41-0025 (AL6005-T5) x 1	HOP-J62-0030 (AL6005-T5) x 1 HOP-L93-0018(SUS304) x 1 HOP-K03-0040 (EPDM) x 2	M8*30 Hexagon socket head cap screws (SUS304) x1 M8*45 Hexagon socket head cap screws (SUS304) x1 M8 internal tooth lock washer (SUS304) x1
-----	--	---	---

## NOVA NEW ADJUSTABLE REAR LEG TRB-ARL-RFN



No	P/N #	Feature Size		Weight (kg)
		$\alpha$	L1 L2	
1	HU-TRB-ARL-F15-RFN	10-15°	200 200	0.695
2	HU-TRB-ARL-F30-RFN	15-30°	360 360	0.908
3	HU-TRB-ARL-F60-RFN	30-60°	660 660	1.309

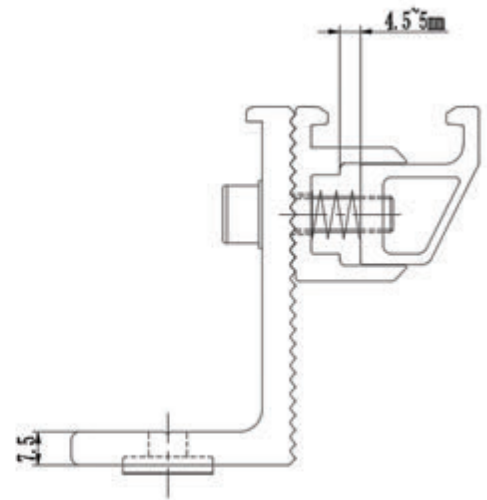
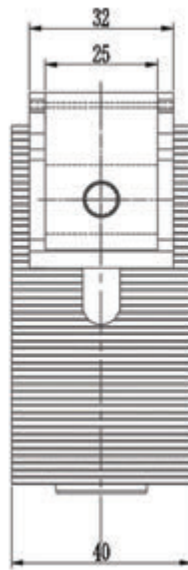
### TECHNICAL DATA

Weight (g) See Above Sheet

BOM	HOP-H81-0038 (AL6005-T5) x 1 HOP-H40-0032 (AL6005-T5) x 1 HOP-H41-0025 (AL6005-T5) x 1 HOP-J06-0000 (AL6005-T5) x 1 HOP-J07-0000 (AL6005-T5) x 1	HOP-J63-0025 (AL6005-T5) x 1 HOP-L93-0018 (SUS301) x 1 HOP-K03-0040 (EPDM) x 2 M8 flange Hexagon Nuts (SUS304) x 1 M8 internal tooth lock washer (SUS304) x1	M8*20 Hexagon socket head cap screws (SUS304) x1 M8*45 Hexagon socket head cap screws (SUS304) x1 M8*50 Hexagon socket head cap screws (SUS304) x2 M8 1 type non metal insert six angle locking nut x 1 ST6.3*25 Self-tapping screw(SUS 410) x 1
-----	--	--	--



**NOVA NEW L Feet  
TRB-F16-RFN**



 FLAT EPDM

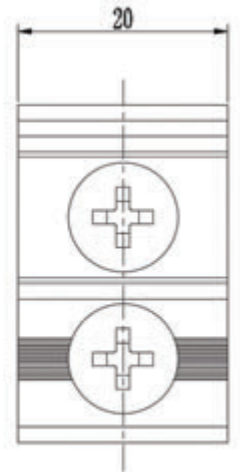
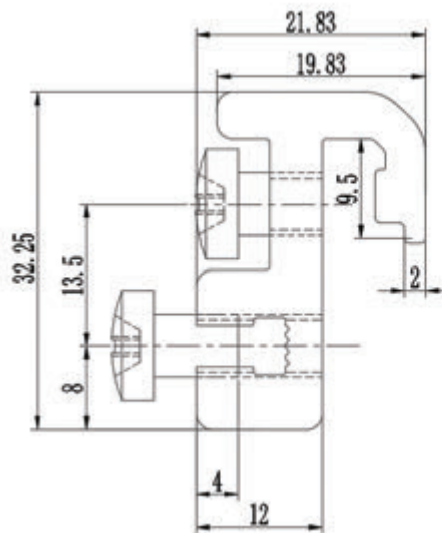
**TECHNICAL DATA**

Weight (g) 166

**BOM**

- SL-W01-0040 (AL6005-T5) x 1
- HOP-H40-0032(AL6005-T5) x 1
- HOP-H41-0025(AL6005-T5) x 1
- HOP-L93-0018(SUS304) x 1
- M8\*30 Hexagon socket head cap screws (SUS304) x1
- M8 internal tooth lock washer (SUS304) x1
- SL-X01-0010 (EPDM) x1

**NOVA EARTHING LUG  
-AC-ELG03**



**TECHNICAL DATA**

Weight (g) 37

**BOM**

- HOP-J30-0020 (AL6005-T5) x 1
- M6\*8 Cross recess pan head screws (SUS304) x 2



**HUAWEI** SOLAR®

Huawei Solar Ltd.  
NO.5, 17/F, Strand 50, 50 Bonham Strand  
Sheung Wan, Hong Kong

[info@huawei-solar.eu](mailto:info@huawei-solar.eu)